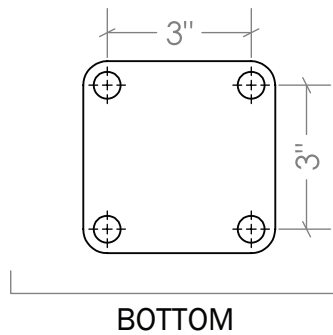
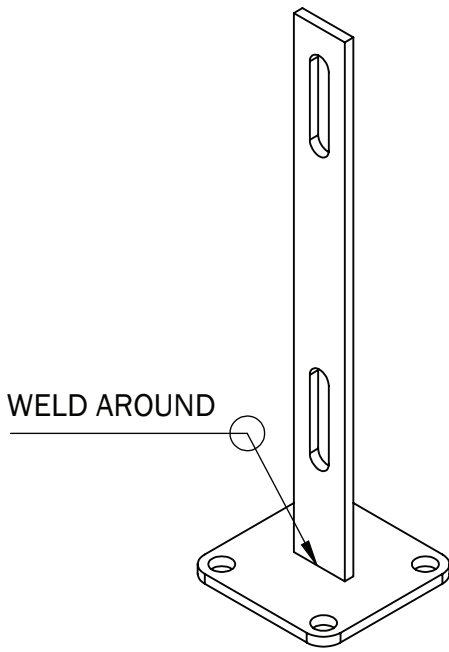
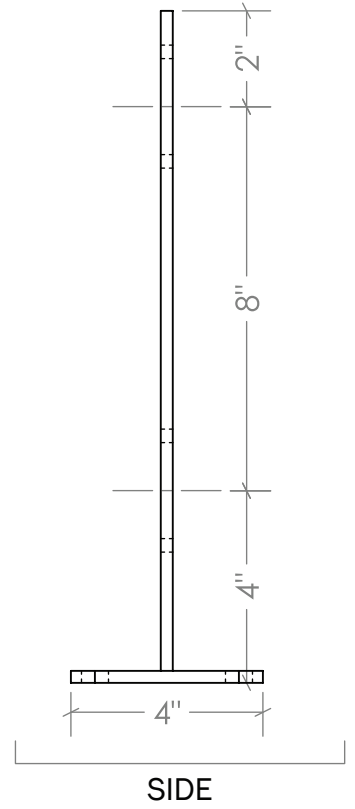
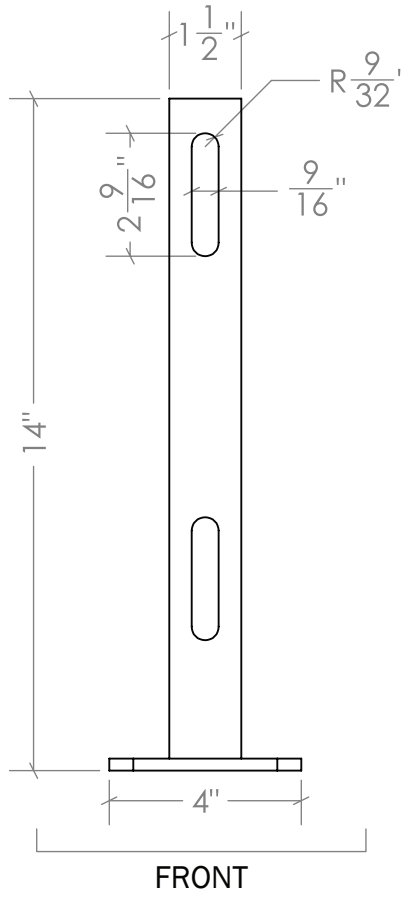
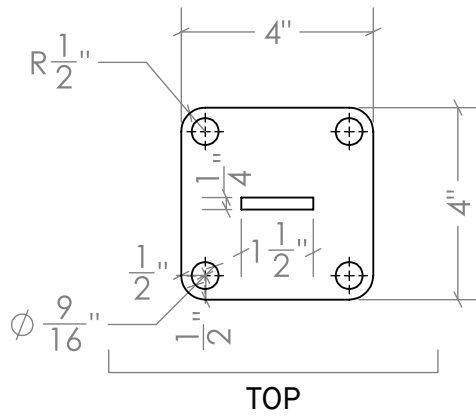


© 2011 Patent Pending 2013

Divider Screen Panel | 6 bends

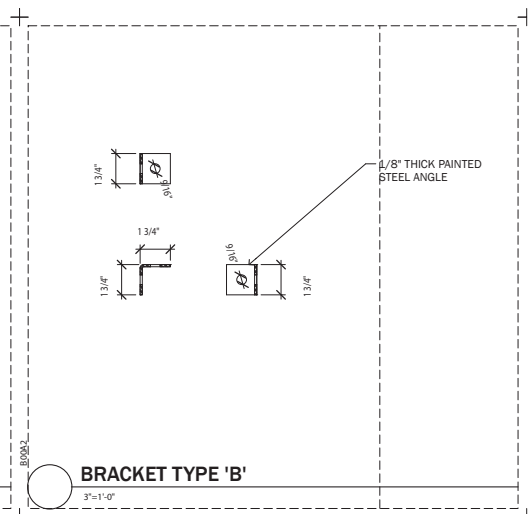
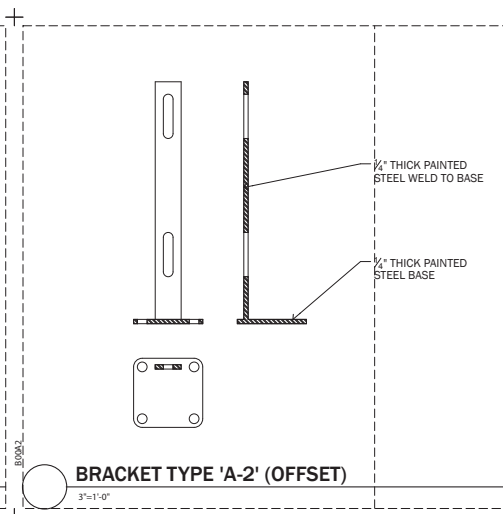
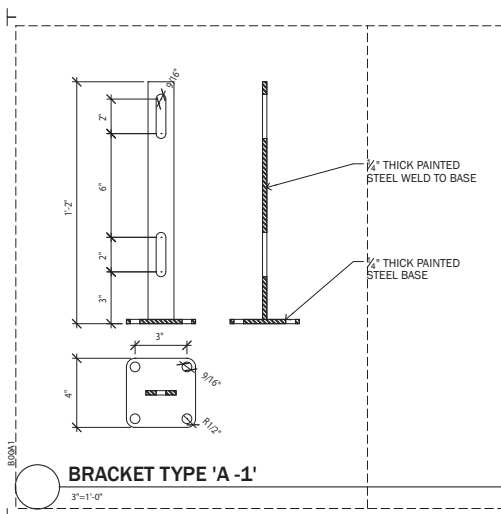
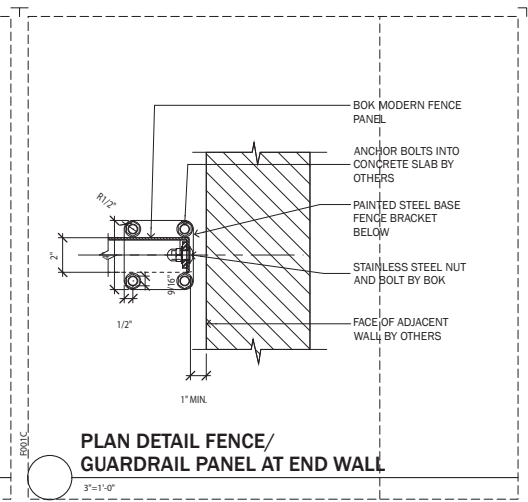
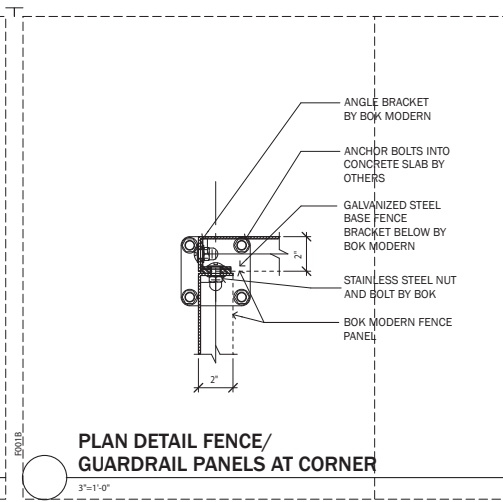
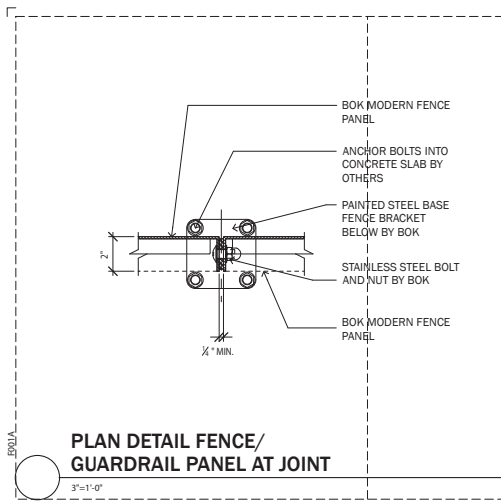
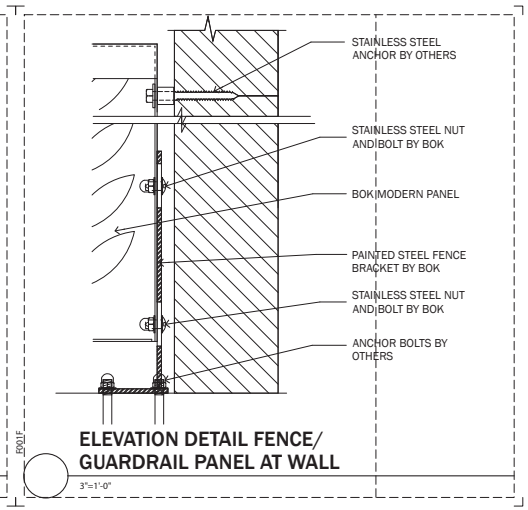
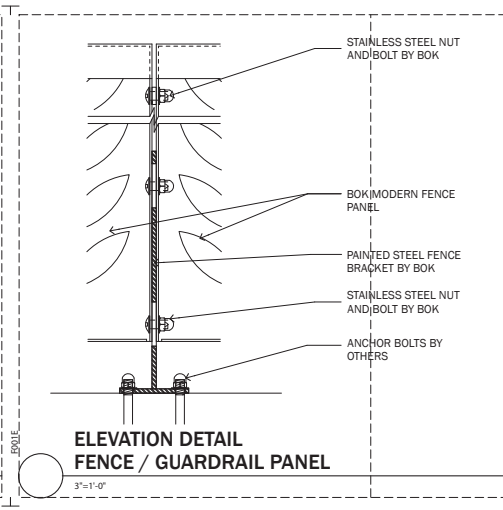
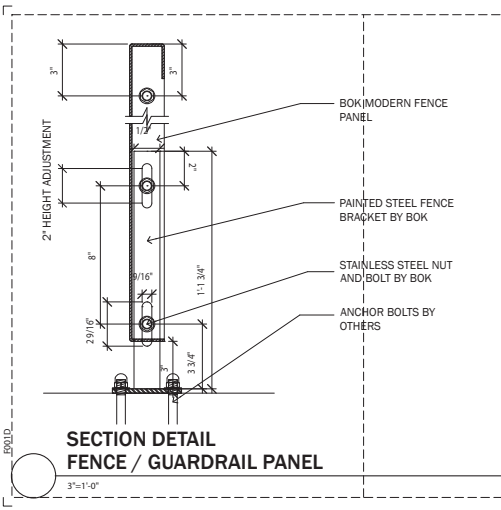
THE INFORMATION OR IDEAS CONTAINED IN THIS DRAWING IS THE SOLE PROPERTY OF BOKTM INC. AND ANY REPRODUCTION IN PART OR AS A WHOLE WITHOUT THE PERMISSION OF BOKTM INC. IS STRICTLY PROHIBITED.



© 2011 Patent Pending 2013

Divider Screen Bracket

THE INFORMATION OR IDEAS CONTAINED IN THIS DRAWING IS THE SOLE PROPERTY OF BOK™ INC. AND ANY REPRODUCTION IN PART OR AS A WHOLE WITHOUT THE PERMISSION OF BOK™ INC. IS STRICTLY PROHIBITED.



© 2011 Patent Pending 2013

Divider Screen Details

THE INFORMATION OR IDEAS CONTAINED IN THIS DRAWING IS THE SOLE PROPERTY OF BOK™ INC. AND ANY REPRODUCTION IN PART OR AS A WHOLE WITHOUT THE PERMISSION OF BOK™ INC. IS STRICTLY PROHIBITED.