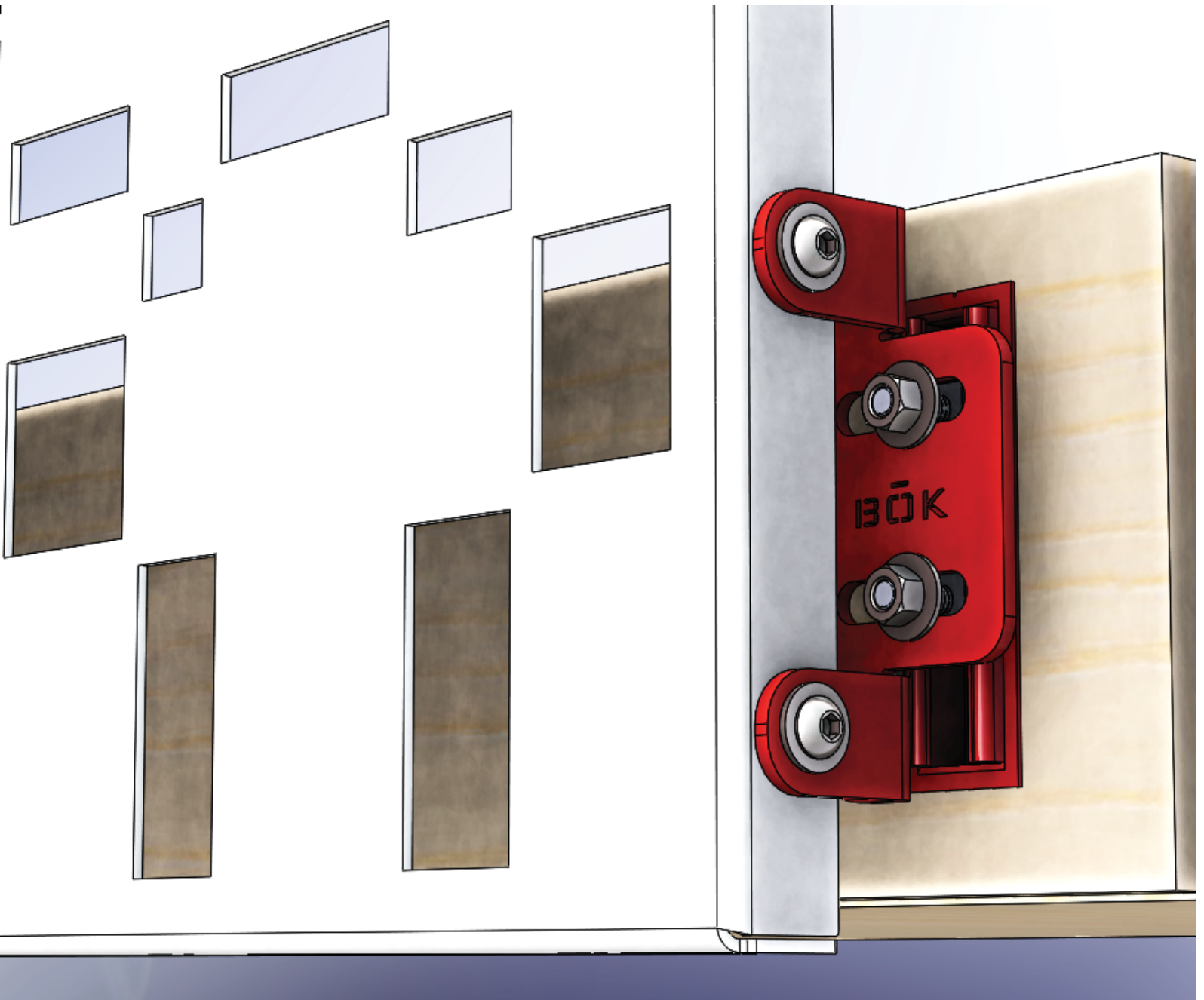




UNIVERSAL BRACKET

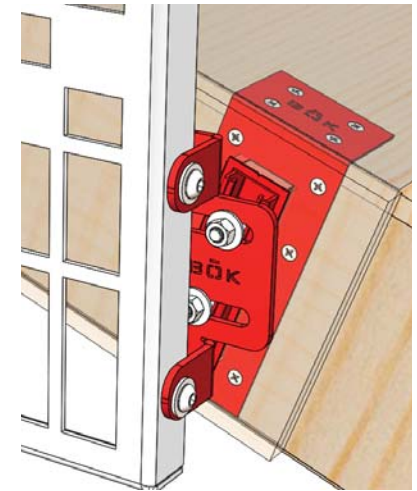
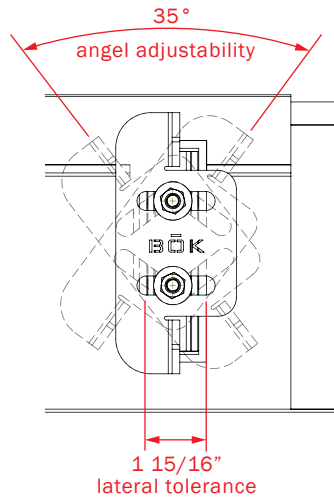
US PATENT PENDING
#62/536,219



BOKMODERN.COM

SIMPLE, EFFICIENT, FLEXIBLE

The BÖK Modern patent pending Universal Bracket is a simplified mounting solution for our architectural metal panel systems. Its' innovative design allows for fast and easy installation while providing a wide range of adjustability for field tolerances. Suitable applications include (but not limited to) mounting stair and balcony guardrails, as well as wall and parking garage screens. The distinct 2-part design, consisting of part 'A' mounting base and a part "B" adjustable bracket, solves multiple installation issues:



UNIVERSAL BRACKET
INSTALLATION FLEXIBILITY

UNIVERSAL BRACKET
INSTALLED AT ANGLED SLAB

FIELD TOLERANCE

The 2 part bracket allows for a **full range of flexibility** in the field as it is adjustable in both the vertical and horizontal direction, can rotate up to 35 degrees, and can be adjusted in and out from the mounting surface, **eliminating the need for precise bracket placement.**

SIMPLIFIED STRUCTURAL

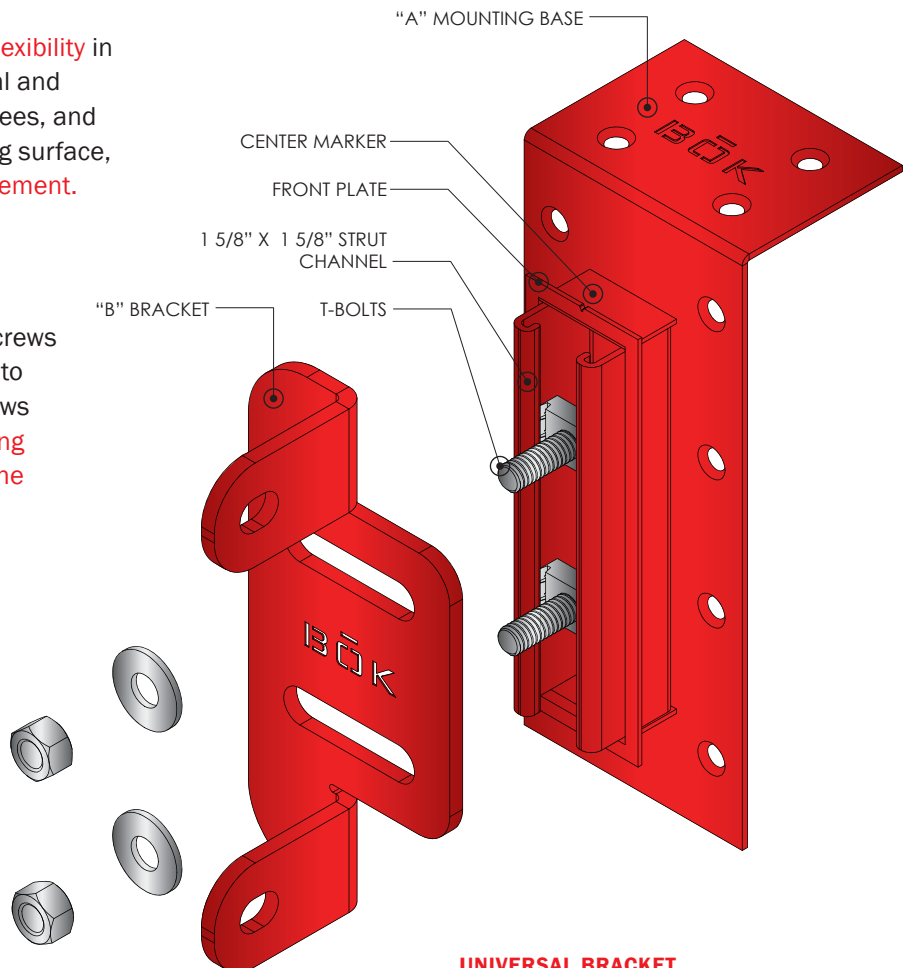
The flat mounting plate with recessed #12 screws does not require any notching or recessing into the plywood substrate. This 'folded' plate allows for laterally securing to the rim joist **eliminating costly and time consuming hold-downs and the associated additional framing.**

MINIMAL WATERPROOFING

The flat plate is easily flashed over, much like a window fin, as well as an integral T mold **eliminating additional flashing and associated caulking.**

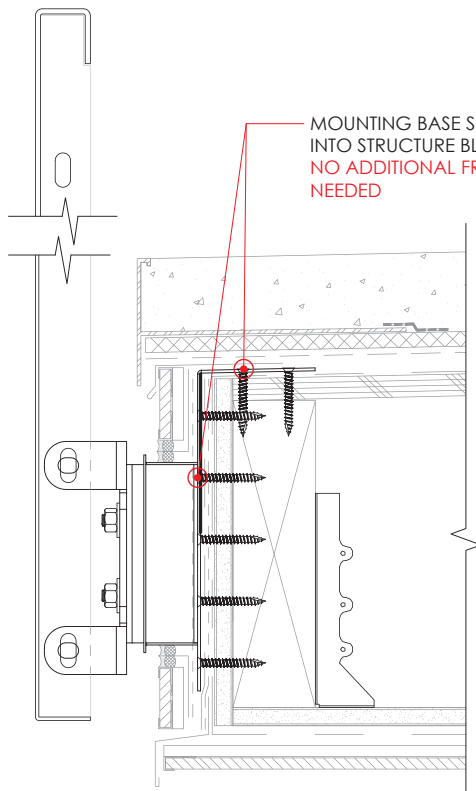
MATERIAL: Stainless Steel

FINISH: Powder Coat

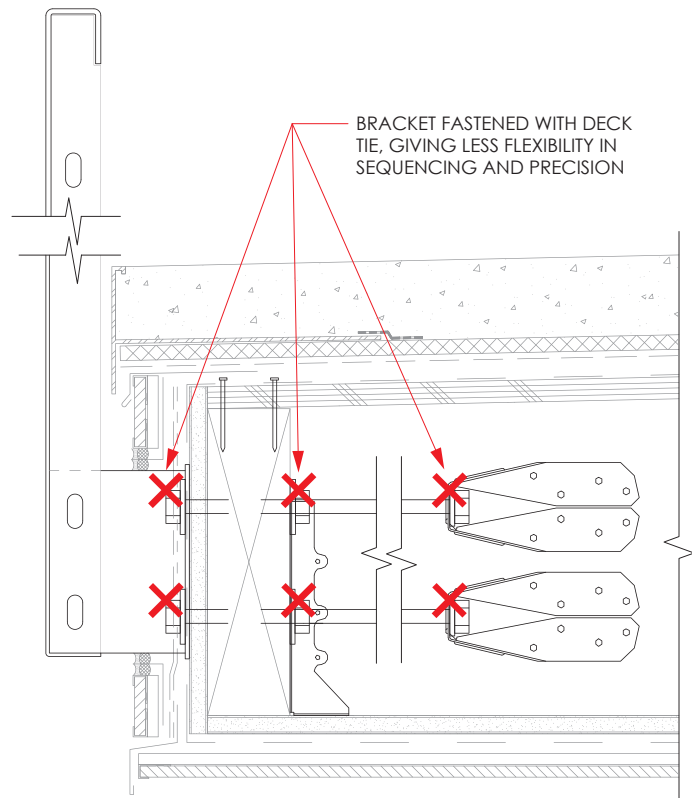


UNIVERSAL BRACKET
US PATENT PENDING #62/536,219

DETAIL COMPARISON



UNIVERSAL BRACKET
ASSEMBLY DETAIL

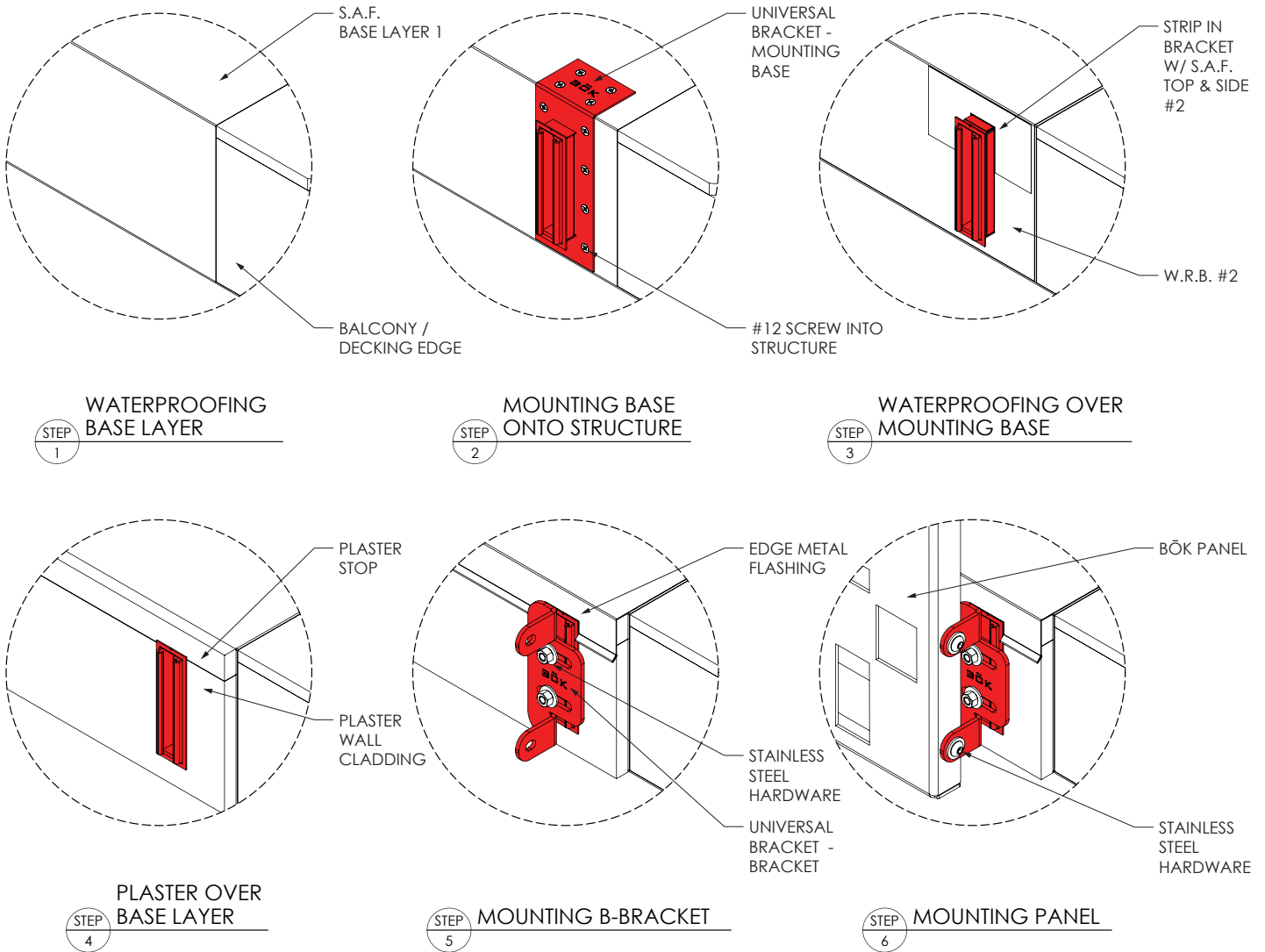


TYPICAL FIXED BLADE BRACKET
ASSEMBLY DETAIL

BÖK Modern Universal Bracket can save your installation labor time

With “folded” plate shape, the BÖK Modern Patent Pending Universal Bracket (patent pending #62/536,219) is designed to be secured on both the face and the top of structure. This configuration allows the bracket to be self-supported and eliminates the need for additional “rod and tie” type fastener which gives very little allowance for error in positioning the hardware. Face-mounting means the bracket can be installed after structure is built, granting greater flexibility in building sequencing.

INSTALLATION SEQUENCING



US PATENT PENDING
#62/536,219

DID YOU KNOW?

BOK Modern offers a seamless service from design, shop drawings to delivery, coordinating with installer and general contractors insuring a worry free and quality final product.