



UNIVERSAL MOUNT™

SIMPLE, EFFICIENT, FLEXIBLE

The BÖK Modern's patented **Universal Mount** is a simplified solution for mounting most of our architectural panel systems. It's innovative design allows for fast and easy installation while providing a wide range of adjustability for field tolerances. Suitable applications includes (but not limited to) mounting stair and balcony guardrails, as well as wall and parking garage screens to wood, steel and concrete substrates.

Pre-engineered up to 60' high for Wind Category C.

The **Universal Mount** is designed only to anchor the posts to whatever substrate it is attached to (e.g. rim joist, blocking, fascia, etc.). The superstructure (which would include the rim and its anchorage) is the responsibility of the building Engineer of Record and requires EOR approval. Due to the impact on the main building, all substrate finish and waterproofing is outside our scope.



» Shown in red color for illustration purpose. Mount can be painted to match panels.

UNIVERSAL MOUNT™

SOLUTION FOR MULTIPLE INSTALLATION ISSUES:

FIELD TOLERANCE

When paired with a BOK bracket, the 2 part system allows for a full range of flexibility in the field as it is adjustable in both the vertical and horizontal direction, can rotate up to 34 degrees, and can be adjusted in and out from the mounting surface, eliminating the need for precise bracket placement.

SIMPLIFIED STRUCTURAL ATTACHMENT

The flat mounting plate with 1/4" screws does not require any notching or recessing into the plywood substrate. This folded plate allows for directly securing to the rim joist eliminating costly and time consuming hold-downs or thru bolting and the associated additional framing.

MINIMAL WATERPROOFING

The flat plate is easily flashed over, much like a nail-on window fin, as well as an integral J mold eliminating additional flashing and associated caulking.

MATERIAL

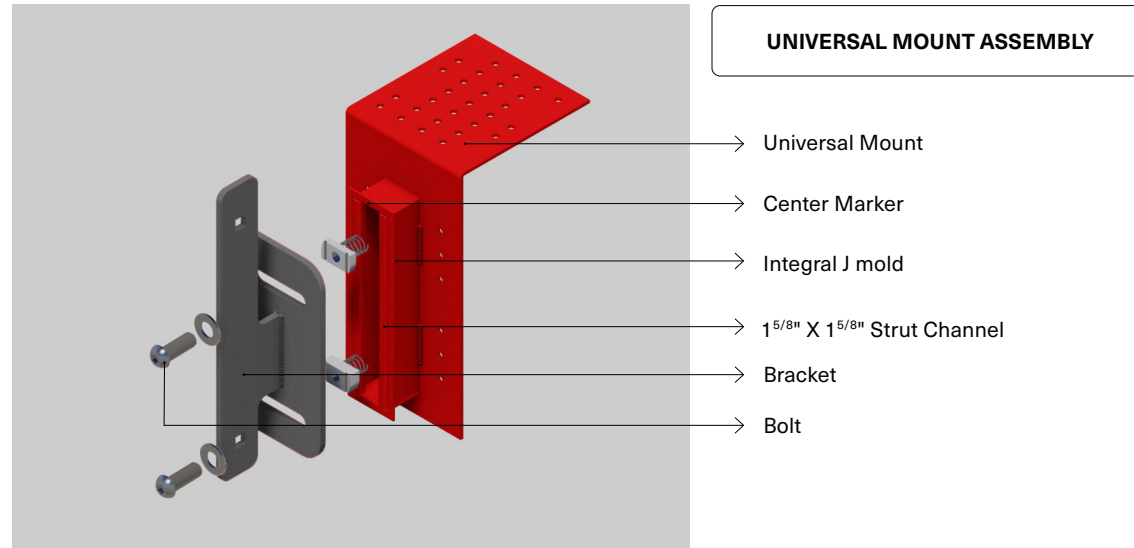
Stainless Steel

FINISH

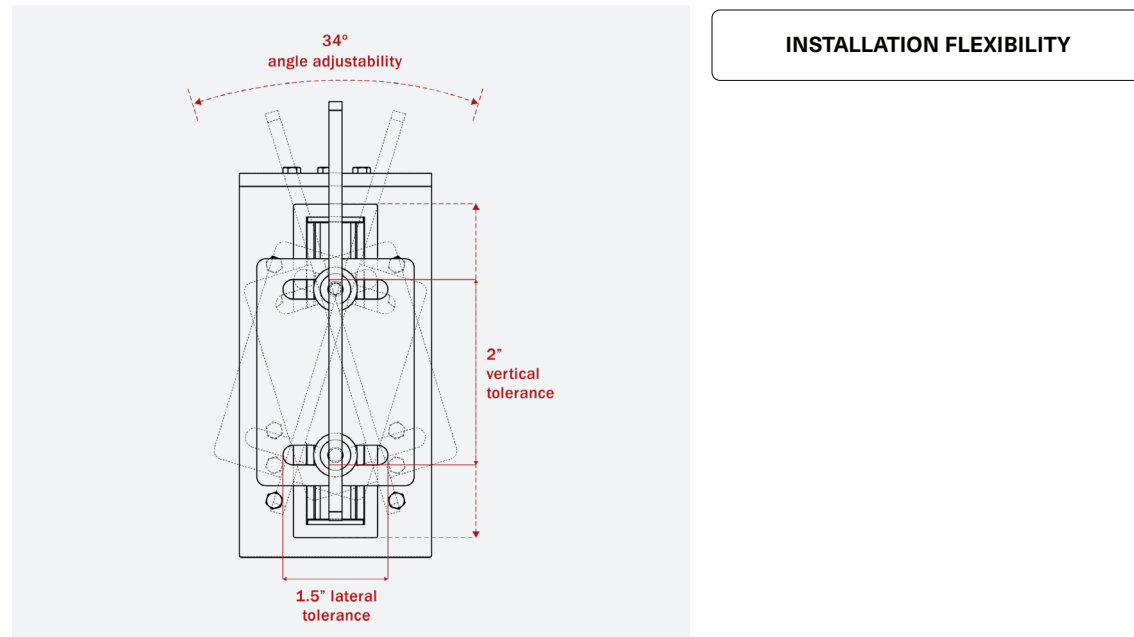
Powder Coat or Unfinished

BOKMODERN.COM

For any questions please call
415.749.6500 X 295



UNIVERSAL MOUNT ASSEMBLY



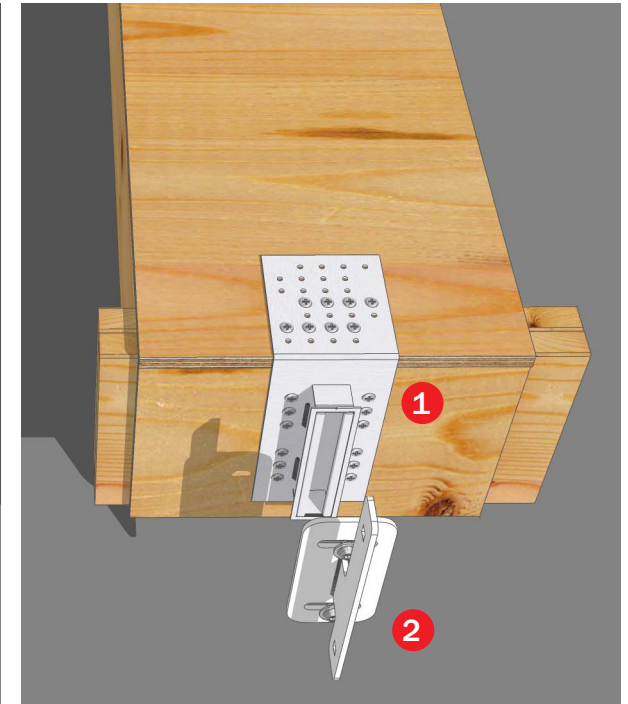
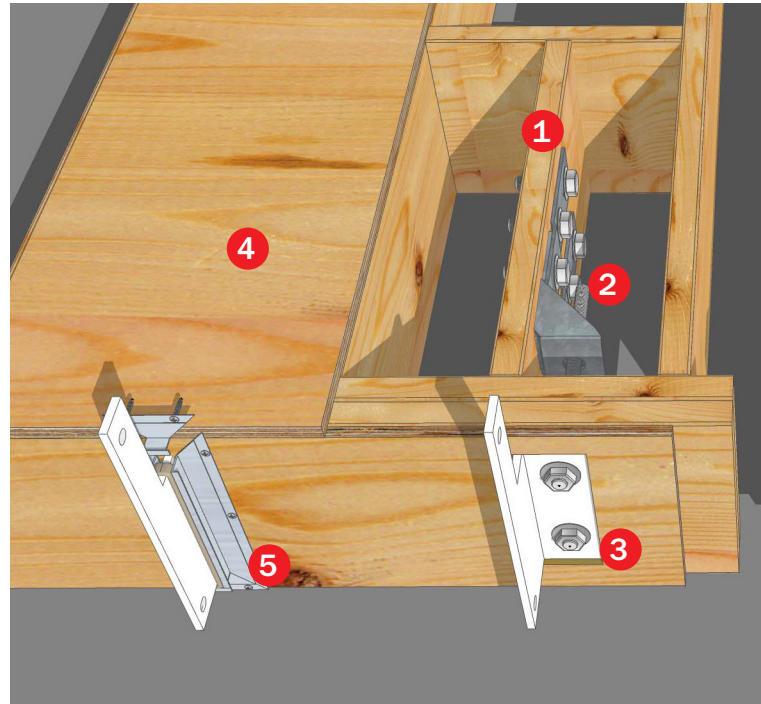
INSTALLATION FLEXIBILITY

UNIVERSAL MOUNT™

DETAIL COMPARISON

BÖK Modern Universal Mount can save on installation labor time.

With the folded plate shape, the BÖK Modern Patented **Universal Mount** is designed to be secured on both the face and the top of the structure. This configuration allows the bracket to be self-supported and eliminates the need for additional “hold-down” type hardware which gives very little allowance for error in positioning the bracket. Face mounting means the bracket can be installed after the framing is completed, granting greater flexibility in building sequencing.



WHY USE UNIVERSAL MOUNTS WITH YOUR BRACKETS?

BOKMODERN.COM

For any questions please call
415.749.6500 X 295

TRADITIONAL FIXED BRACKET

- 1 After bracket location layout, framer is called back to add additional framing to support tie backs.
- 2 Installer drills rim joists and installs Simpson type hold backs.
- 3 Framer returns and adds exterior sheathing notched for bolt recess.
- 4 Framer returns and adds floor sheathing out of sequence.
- 5 After waterproofing complete, exterior finish installer fabricates and installs bracket trim ring and caulking.

BÖK UNIVERSAL MOUNT

- 1 After all framing is completed, Install BÖK Universal Mount with 1/4" screws.
- 2 Install guardrail bracket later with railings.

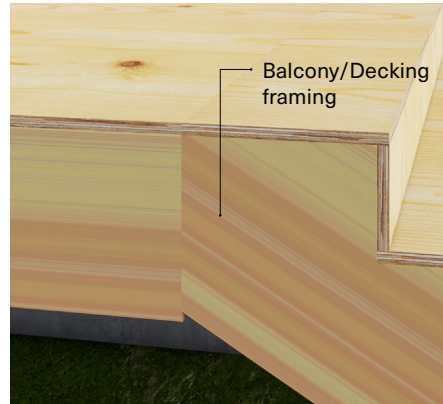
ADVANTAGES

- Bracket is adjustable. Traditional fixed bracket requires precise mounting and can lead to change orders for additional panel types.
- Much safer and easier waterproofing details.
- Finish trim ring built into mount.
- Typically no framing coordination.

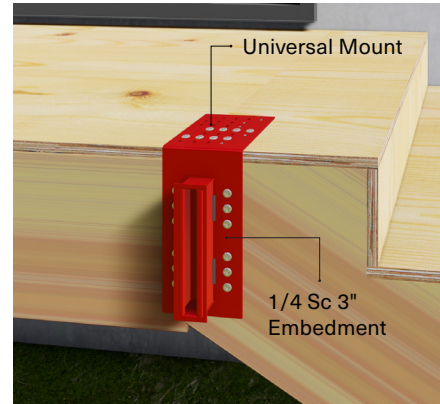
**UNIVERSAL
MOUNT™**

INSTALLATION SEQUENCING

BÖK Modern offers a seamless service from design, shop drawings to delivery, coordinating with installer and general contractors ensuring a worry free and quality final product.



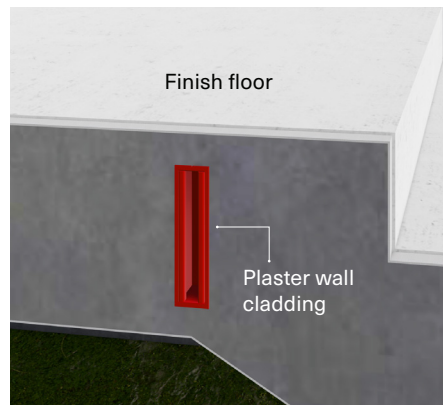
STEP 1
Complete balcony framework



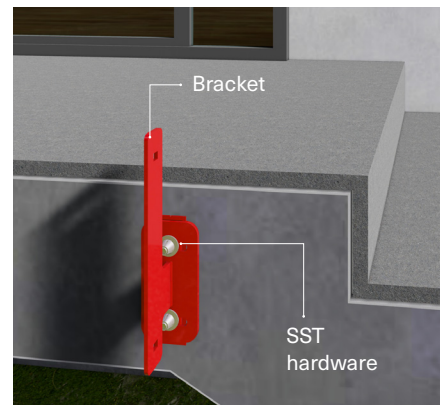
STEP 2
Mounting base onto structure



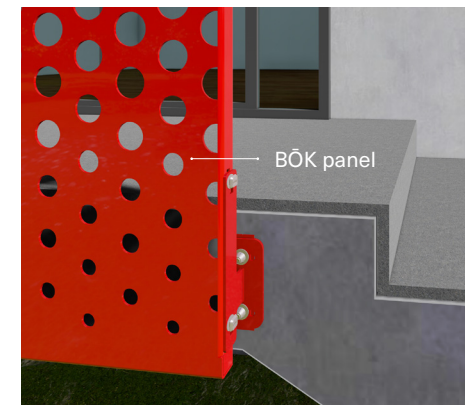
STEP 3
Waterproofing over mounting base plate



STEP 4
Finish system over base layer



STEP 5
Attach B bracket



STEP 6
Attach panel

These drawings can not be used for the purposes of soliciting, negotiating, procuring, fabricating or otherwise obtaining quotes from other vendors. They are the sole and absolute property of BÖK Modern and may only be used by or under license from BÖK Modern.

Any reproduction, distribution, modification, public display or representation of the content in these drawings, in part or as a whole, in any medium, without the prior express written consent of BÖK Modern LLC, is strictly prohibited and may result in legal action.

BOKMODERN.COM

For any questions please call
415.749.6500 X 295

**UNIVERSAL
MOUNT™**

TRULY UNIVERSAL

Our timesaving, cost effective mounts can be purchased for BOK Modern's guardrails or separately for other guardrail types.



Glass balcony guardrail



Picket balcony guardrail



Cable balcony guardrail



BOK balcony guardrail

BOKMODERN.COM

For any questions please call
415.749.6500 X 295