

## BRACKETED CANOPY

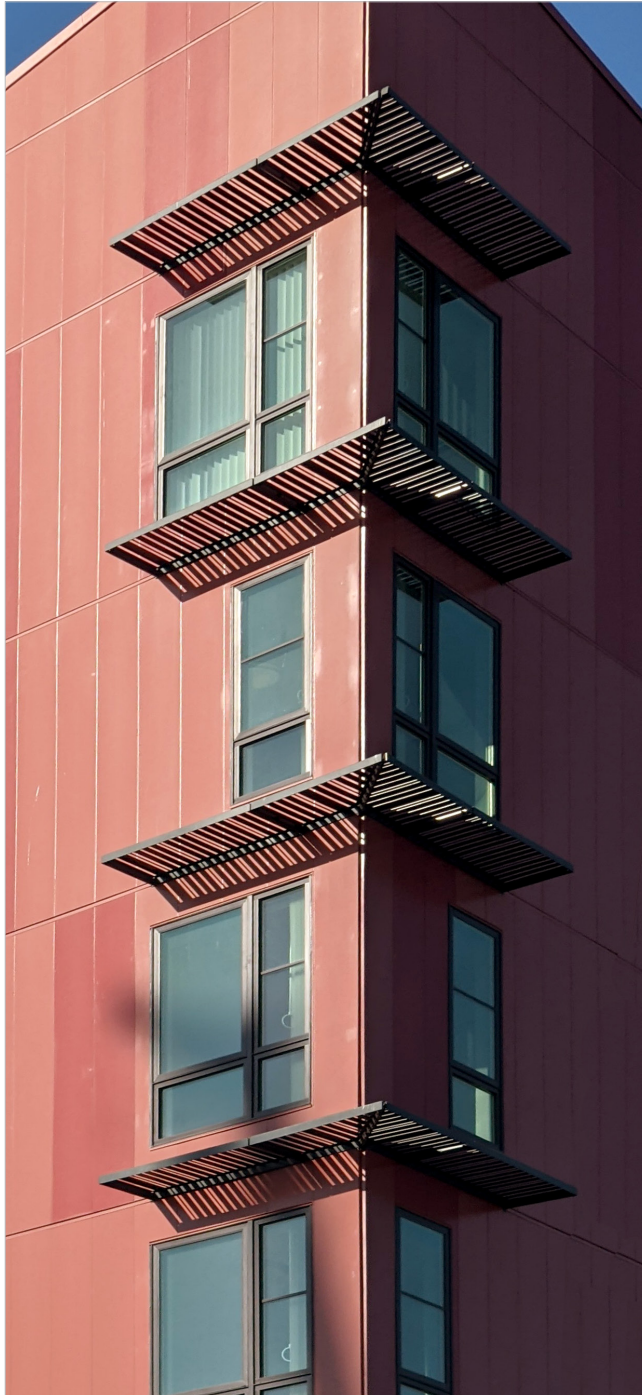
---

Our more traditional Bracketed Canopy is available in both a perforated type for sun-shading or a solid type for rain protection. These stylish installations are also available with details that minimize the appearance of the brackets for a cleaner, minimalist appearance.

---

These drawings can not be used for the purposes of soliciting, negotiating, procuring, fabricating or otherwise obtaining quotes from other vendors. They are the sole and absolute property of BOK Modern and may only be used by or under license from BOK Modern.

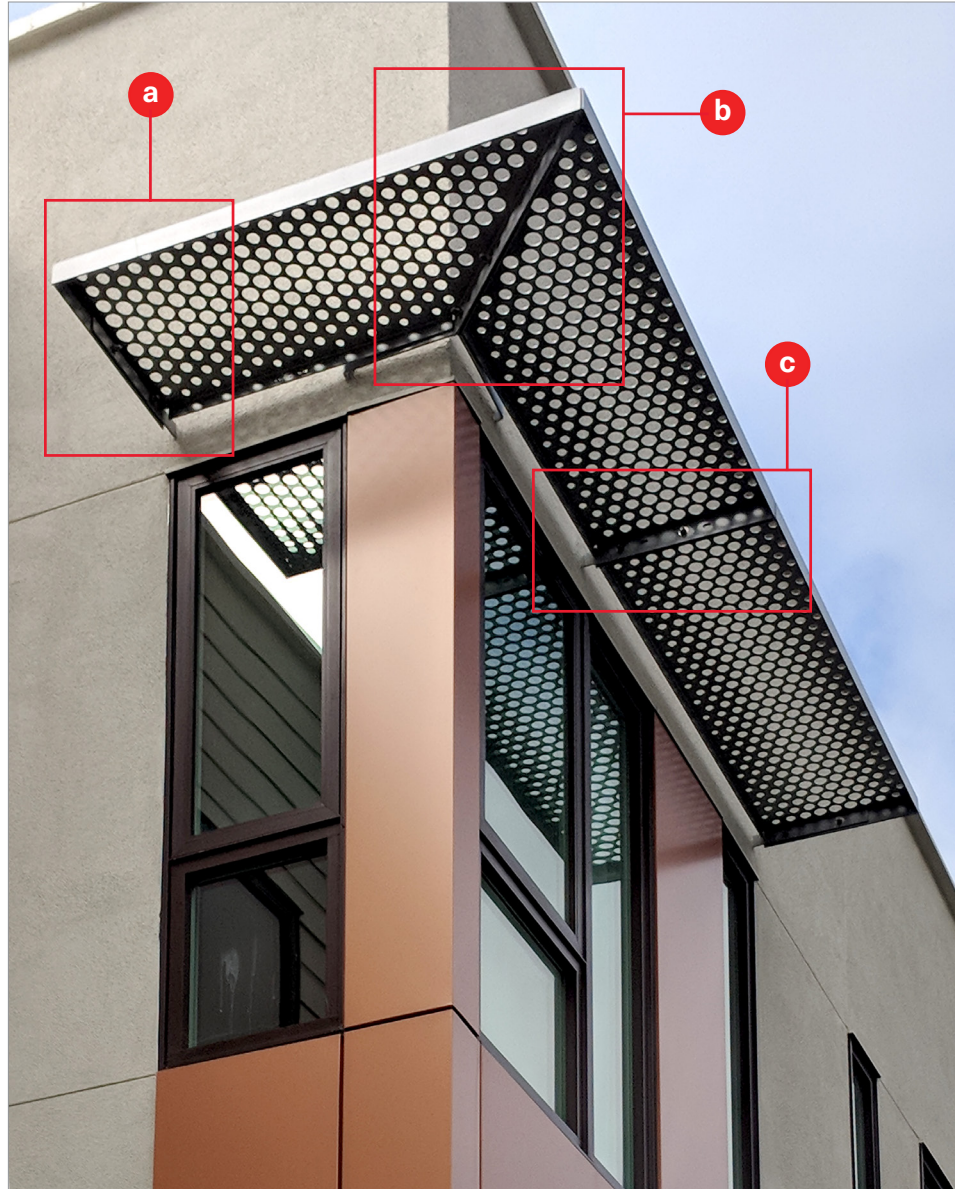
Any reproduction, distribution, modification, public display or representation of the content in these drawings, in part or as a whole, in any medium, without the prior express written consent of BOK Modern LLC. is strictly prohibited and may result in legal action.





**BRACKETED  
CANOPY**

TYPICAL DETAILS

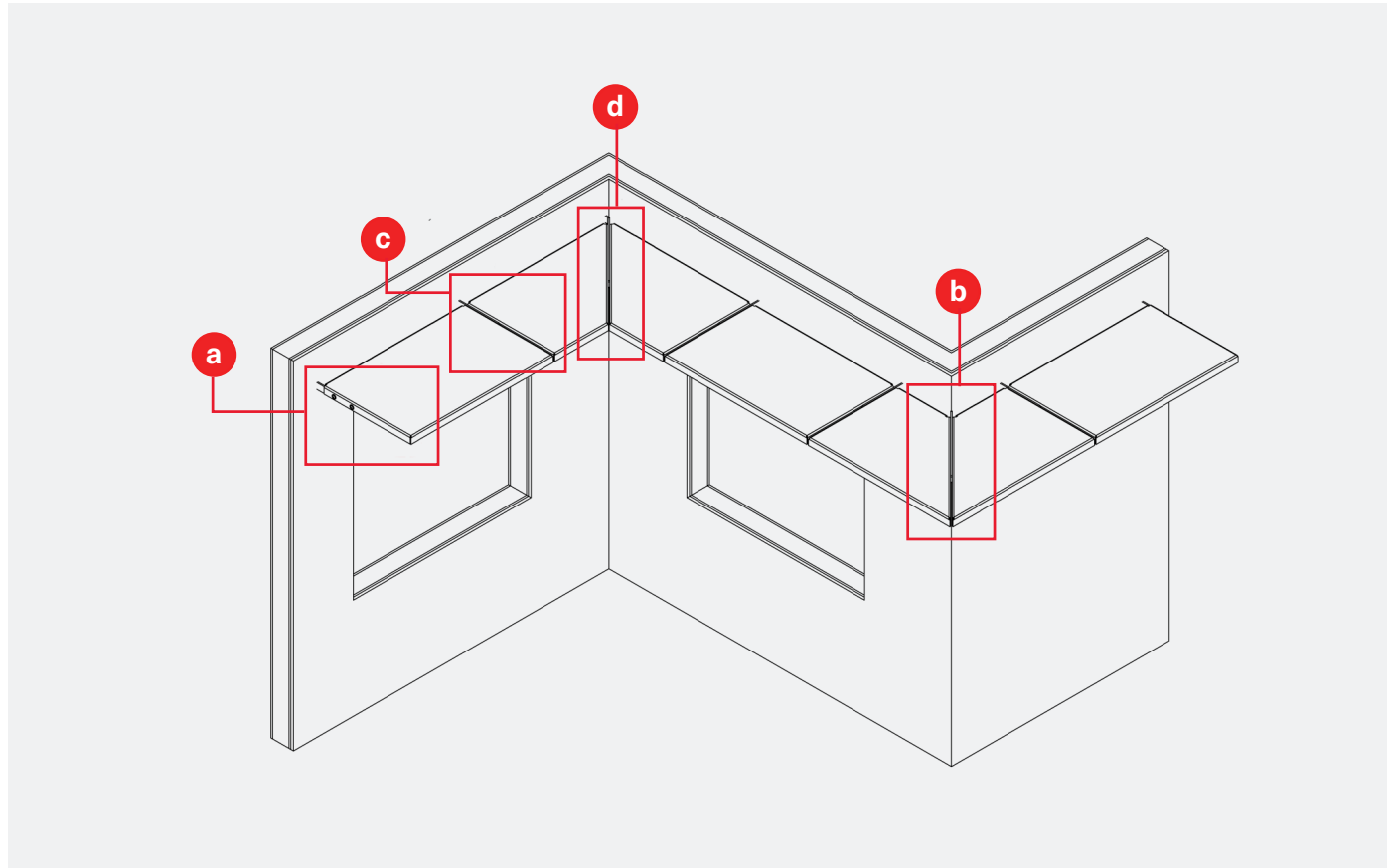


**DETAIL KEY**

- Ⓐ End bracket connection
- Ⓑ Outside corner connection
- Ⓒ Typ. Bracket connection

**BRACKETED  
CANOPY**

ISOMETRIC VIEW



**DETAIL KEY**

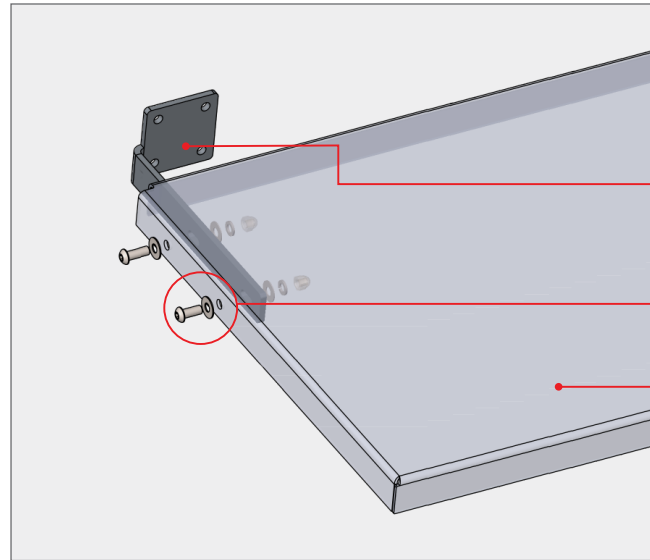
- (a)** End bracket connection
- (b)** Outside corner connection
- (c)** Typ. Bracket connection
- (d)** Inside corner connection

**BOKMODERN.COM**

For any questions please call  
415.749.6500 X 295

**BRACKETED  
CANOPY**

**TYPICAL DETAILS**

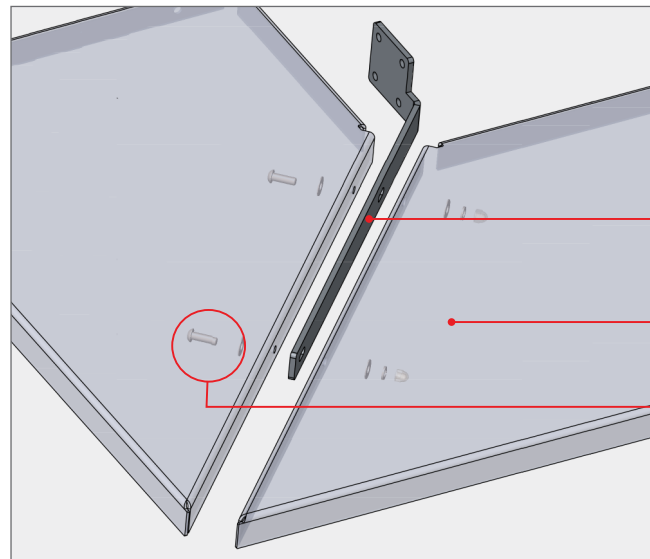


**a** End bracket connection

Bracket by BÖK Modern

1/2" SST bolt assembly  
by BÖK Modern

Canopy panel by BÖK Modern



**b** Outside corner connection

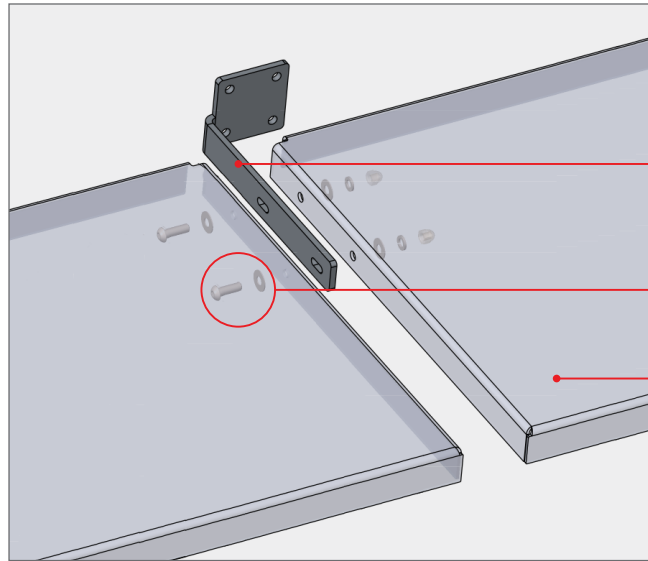
Bracket by BÖK Modern

Canopy panel by BÖK Modern

1/2" SST bolt assembly  
by BÖK Modern

**BRACKETED  
CANOPY**

**TYPICAL DETAILS**

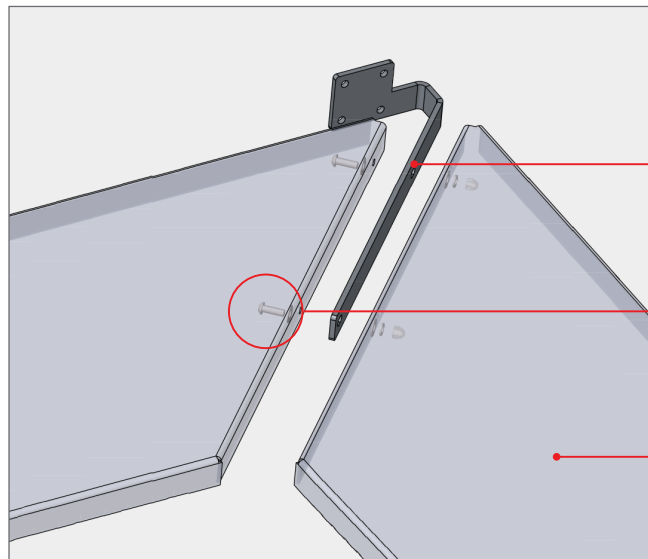


**c** Typ. Bracket connection

Bracket by BÖK Modern

1/2" SST bolt assembly  
by BÖK Modern

Canopy panel by BÖK Modern



**d** Inside corner connection

Bracket by BÖK Modern

1/2" SST bolt assembly  
by BÖK Modern

Canopy panel by BÖK Modern