

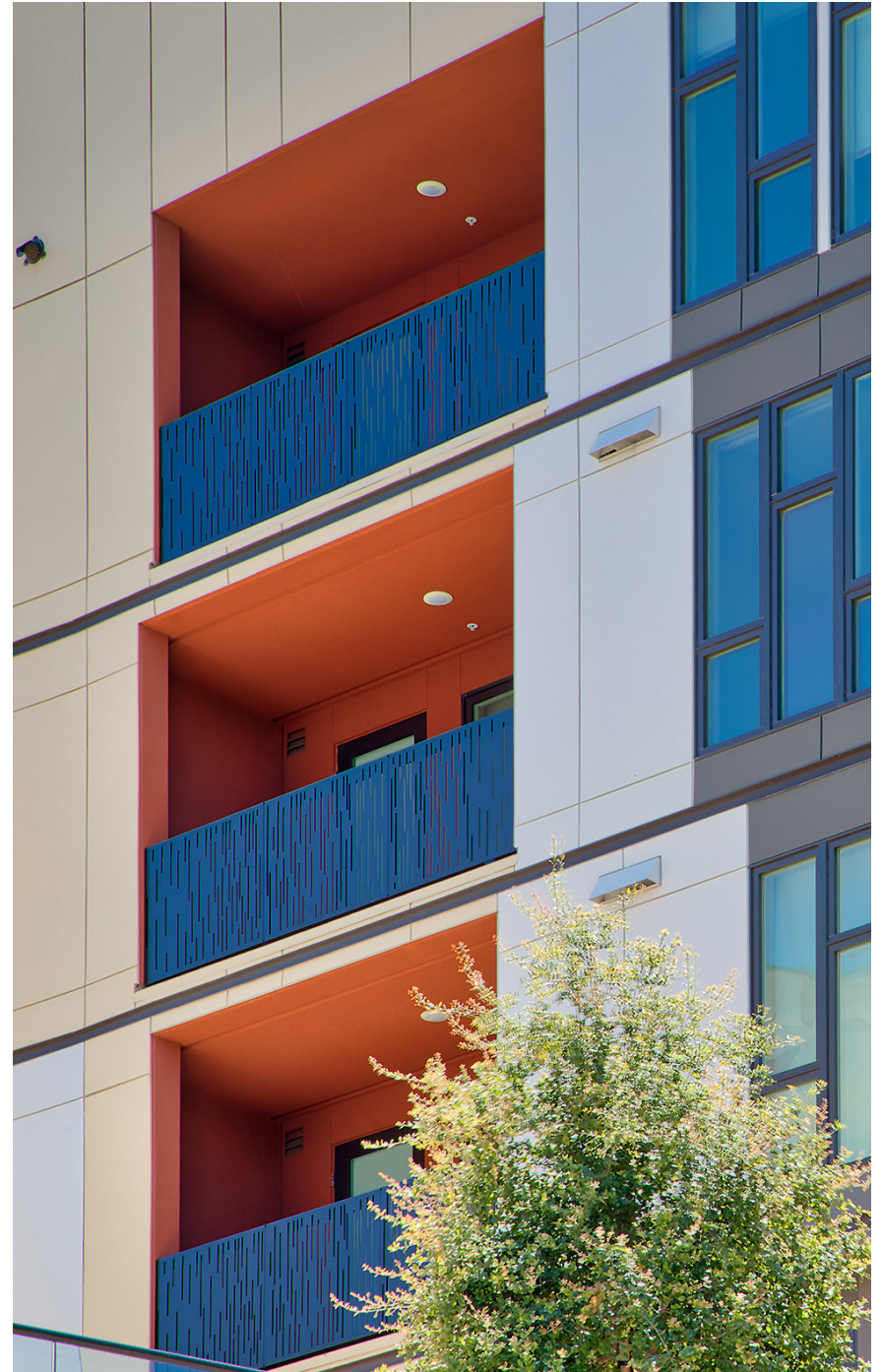


FLOATING BALCONY

The Floating Balcony is an exciting balcony solution for specific applications where there is a wall to mount to on opposite sides. By removing the vertical blade brackets that would normally exist between panels, the effect is the illusion that the panels are floating in place.

These drawings can not be used for the purposes of soliciting, negotiating, procuring, fabricating or otherwise obtaining quotes from other vendors. They are the sole and absolute property of BOK Modern and may only be used by or under license from BOK Modern.

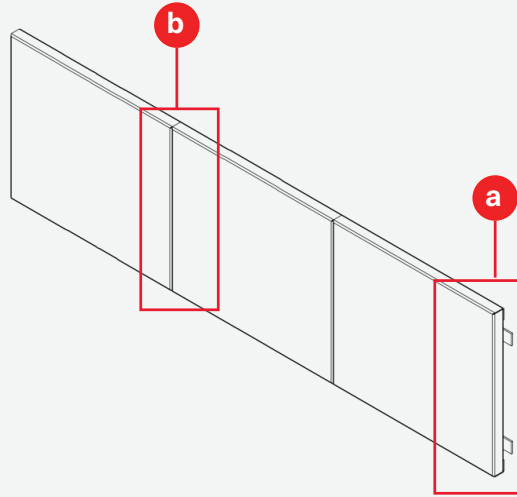
Any reproduction, distribution, modification, public display or representation of the content in these drawings, in part or as a whole, in any medium, without the prior express written consent of BOK Modern LLC, is strictly prohibited and may result in legal action.



**FLOATING
BALCONY**

TYPICAL DETAILS

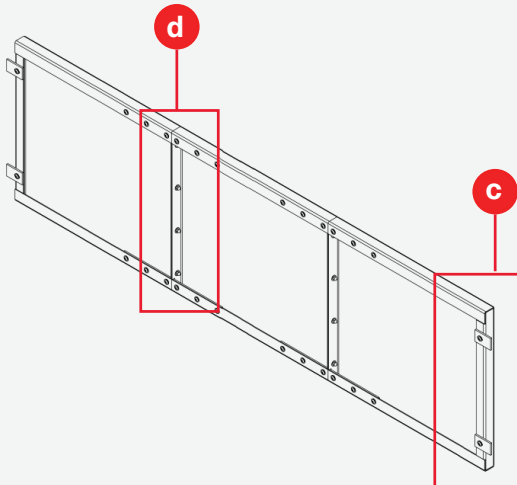
EXTERIOR VIEW



DETAIL KEY

- Ⓐ Panel to mounting tab connection - exterior
- Ⓑ Panel to panel connection - exterior
- Ⓒ Panel to mounting tab connection - interior
- Ⓓ Panel to panel connection - interior

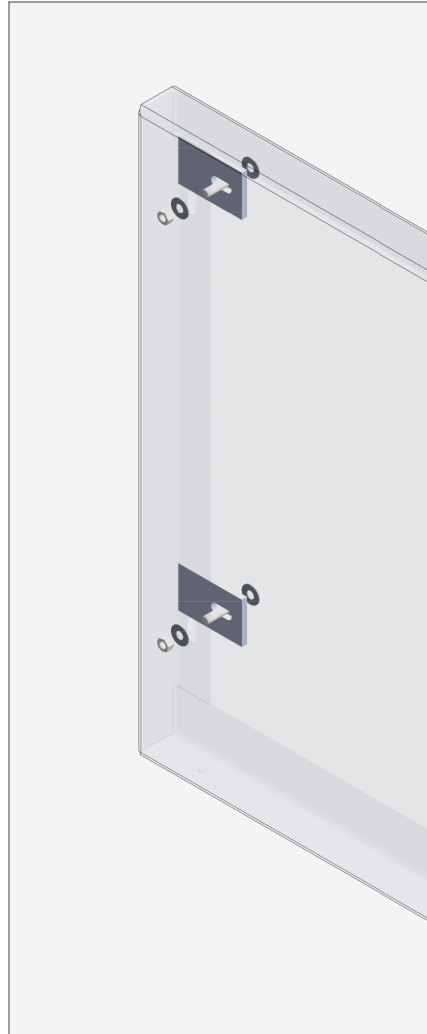
INTERIOR VIEW



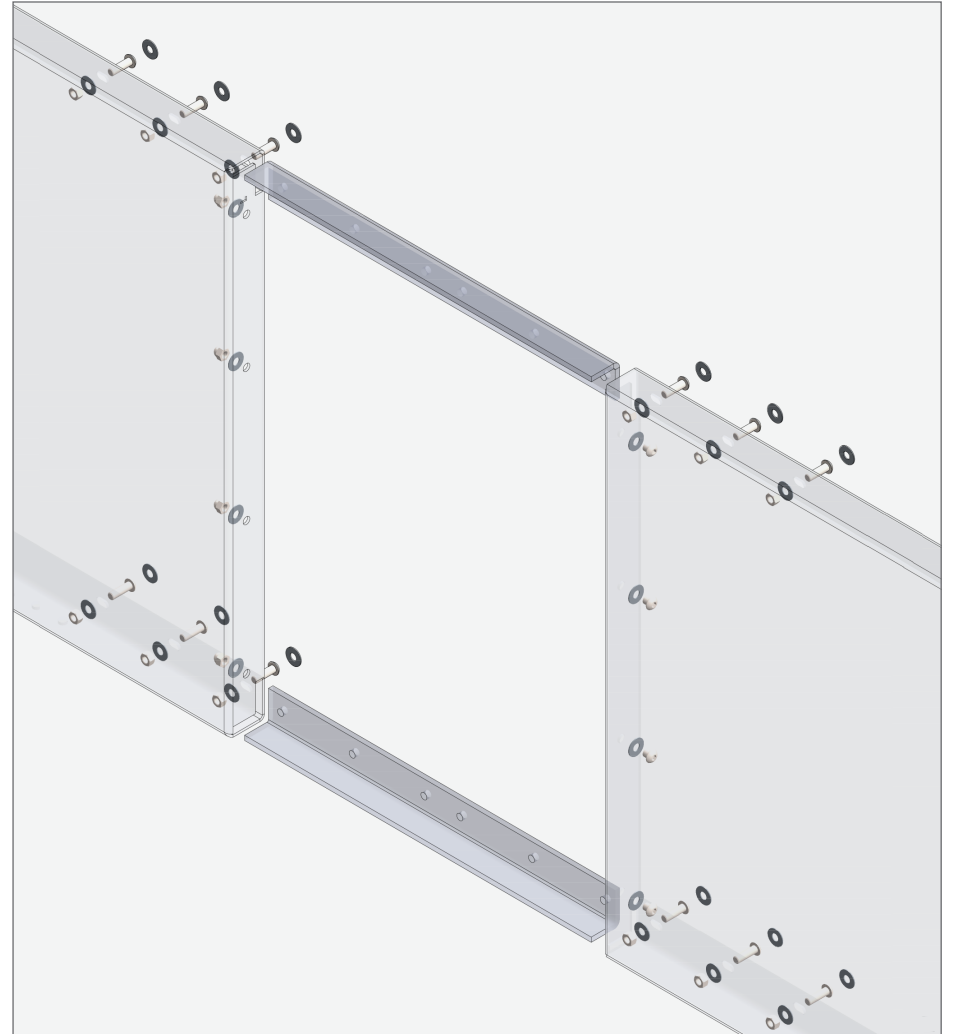
BOKMODERN.COM

For any questions please call
415.749.6500 X 295

**FLOATING
BALCONY**



a EXTERIOR
Panel to mounting tab connection

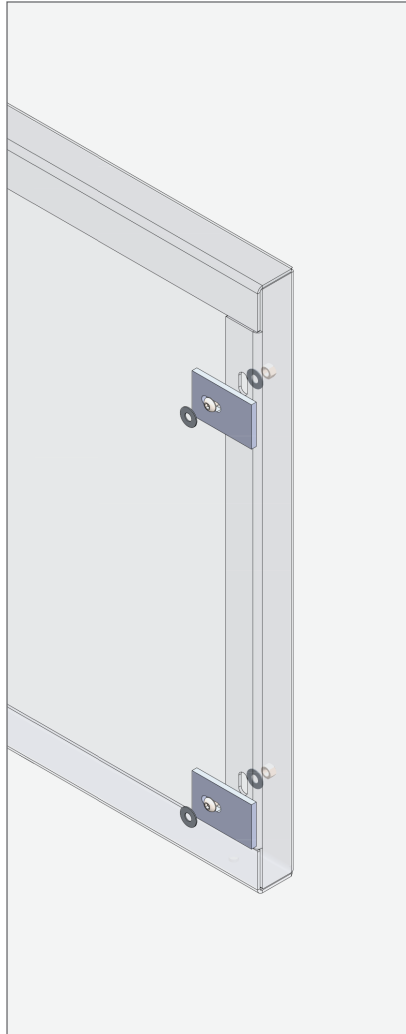


b EXTERIOR
Panel to panel connection

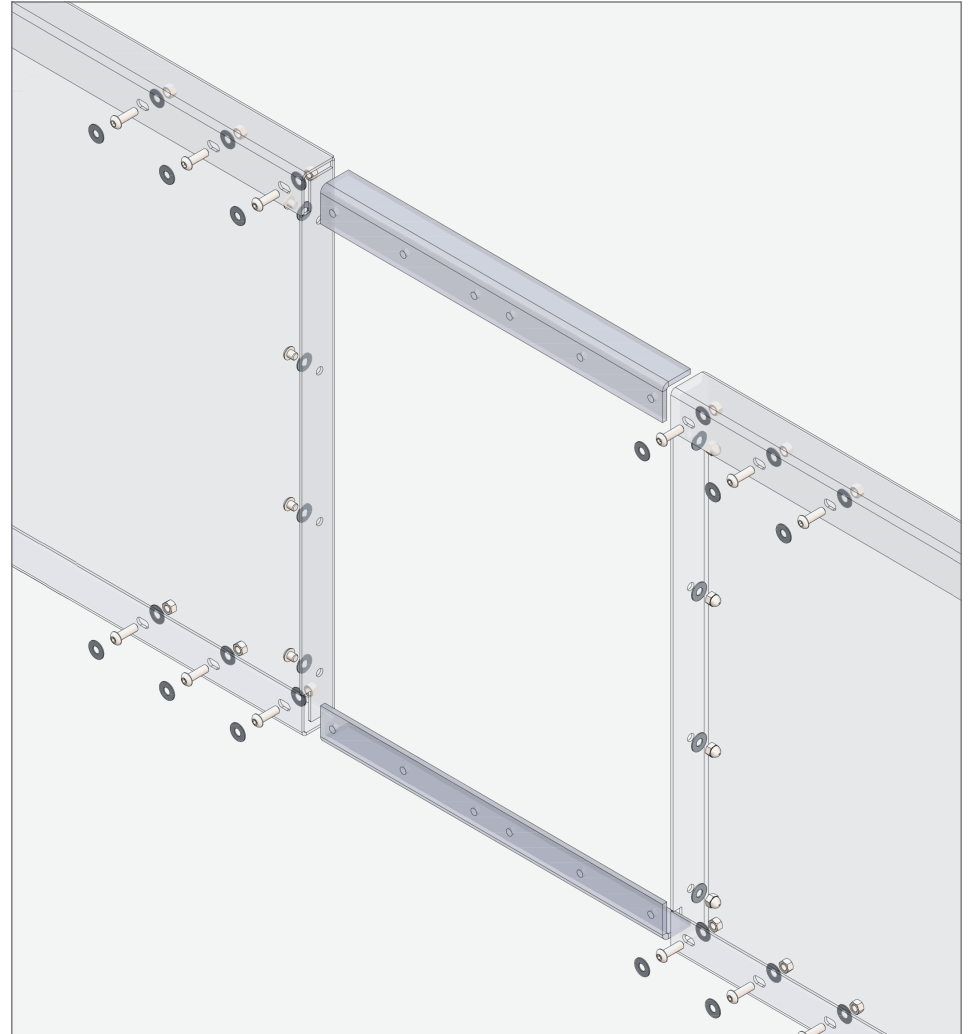
BOKMODERN.COM

For any questions please call
415.749.6500 X 295

**FLOATING
BALCONY**



c INTERIOR
Panel to mounting tab connection



d INTERIOR
Panel to panel connection

BOKMODERN.COM

For any questions please call
415.749.6500 X 295