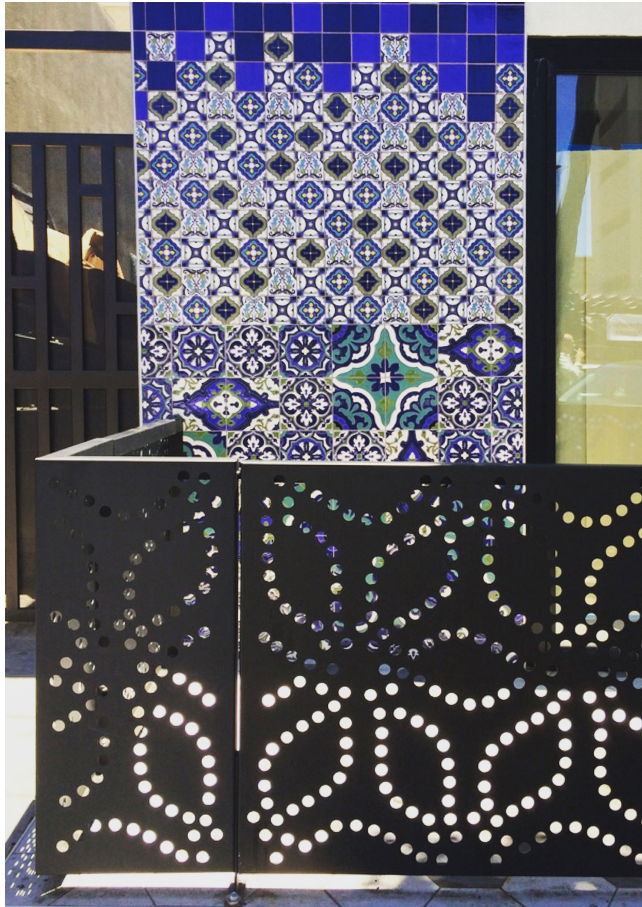


LOW FENCE/ DIVIDER

BOK provides a great solution for lower, freestanding dividers and gates. BOK dividers can be mounted by utilizing our simple 'stand' blade brackets. These installations are ideal for defining private space in multi-family residential developments and outdoor restaurant dining. Add our gates with matching finish and pattern to achieve a custom and continuous look to the system.

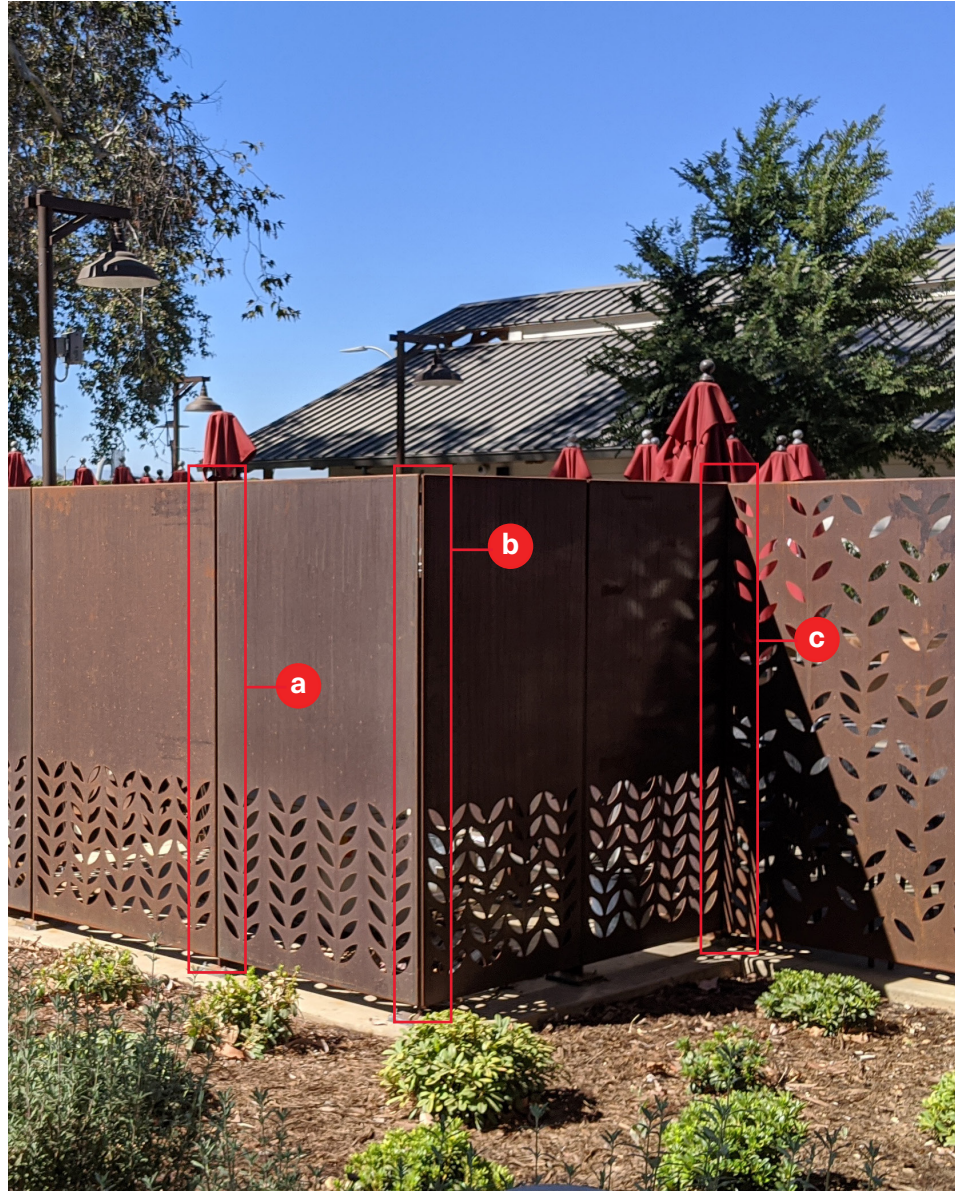
These drawings can not be used for the purposes of soliciting, negotiating, procuring, fabricating or otherwise obtaining quotes from other vendors. They are the sole and absolute property of BOK Modern and may only be used by or under license from BOK Modern.

Any reproduction, distribution, modification, public display or representation of the content in these drawings, in part or as a whole, in any medium, without the prior express written consent of BOK Modern LLC, is strictly prohibited and may result in legal action.



**LOW FENCE/
DIVIDER**

TYPICAL DETAILS



DETAIL KEY

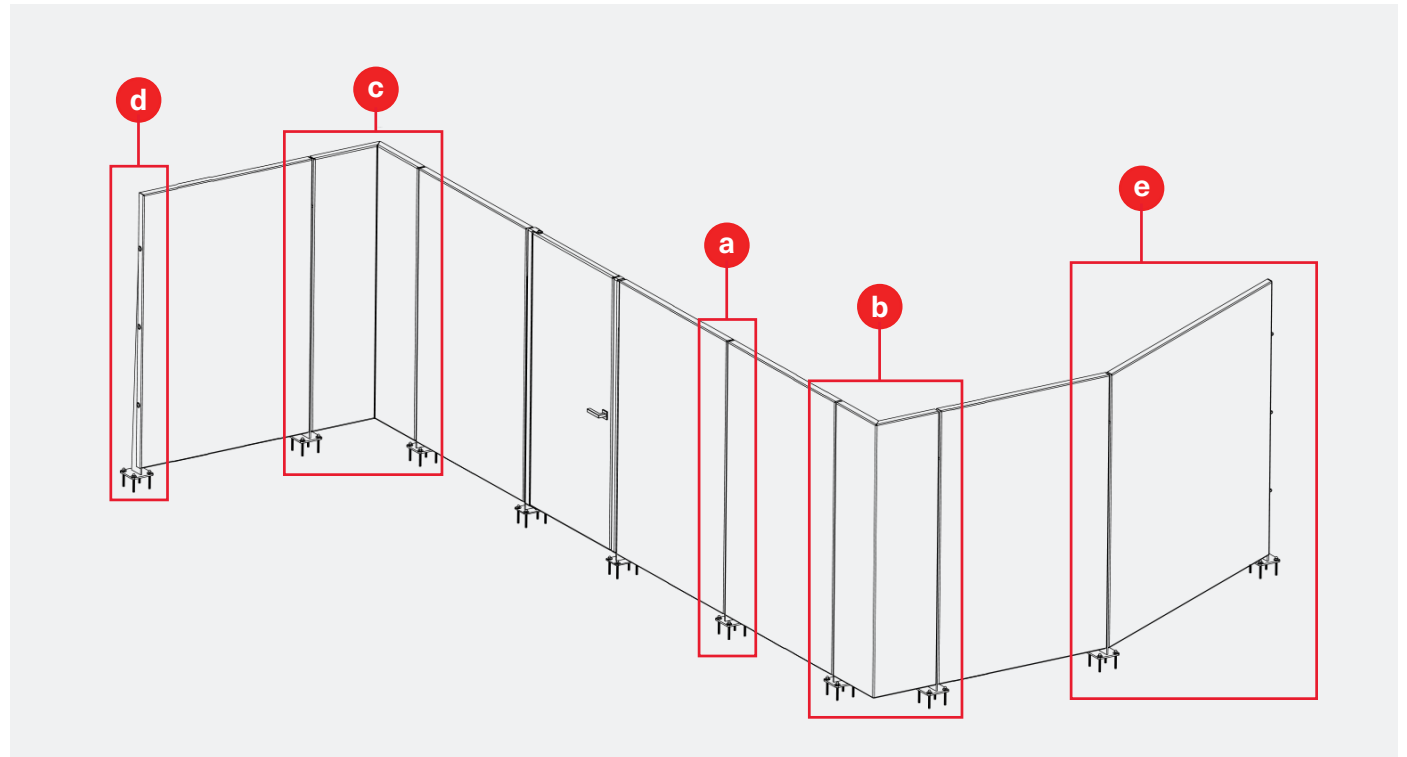
- Ⓐ Typ Connection
- Ⓑ Outside Corner
- Ⓒ Inside Corner

BOKMODERN.COM

For any questions please call
415.749.6500 X 295

**LOW FENCE/
DIVIDER**

TYPICAL DETAILS



DETAIL KEY

- Ⓐ Typ Connection
- Ⓑ Outside Corner
- Ⓒ Inside Corner
- Ⓓ End Connection
- Ⓔ Slope

BOKMODERN.COM

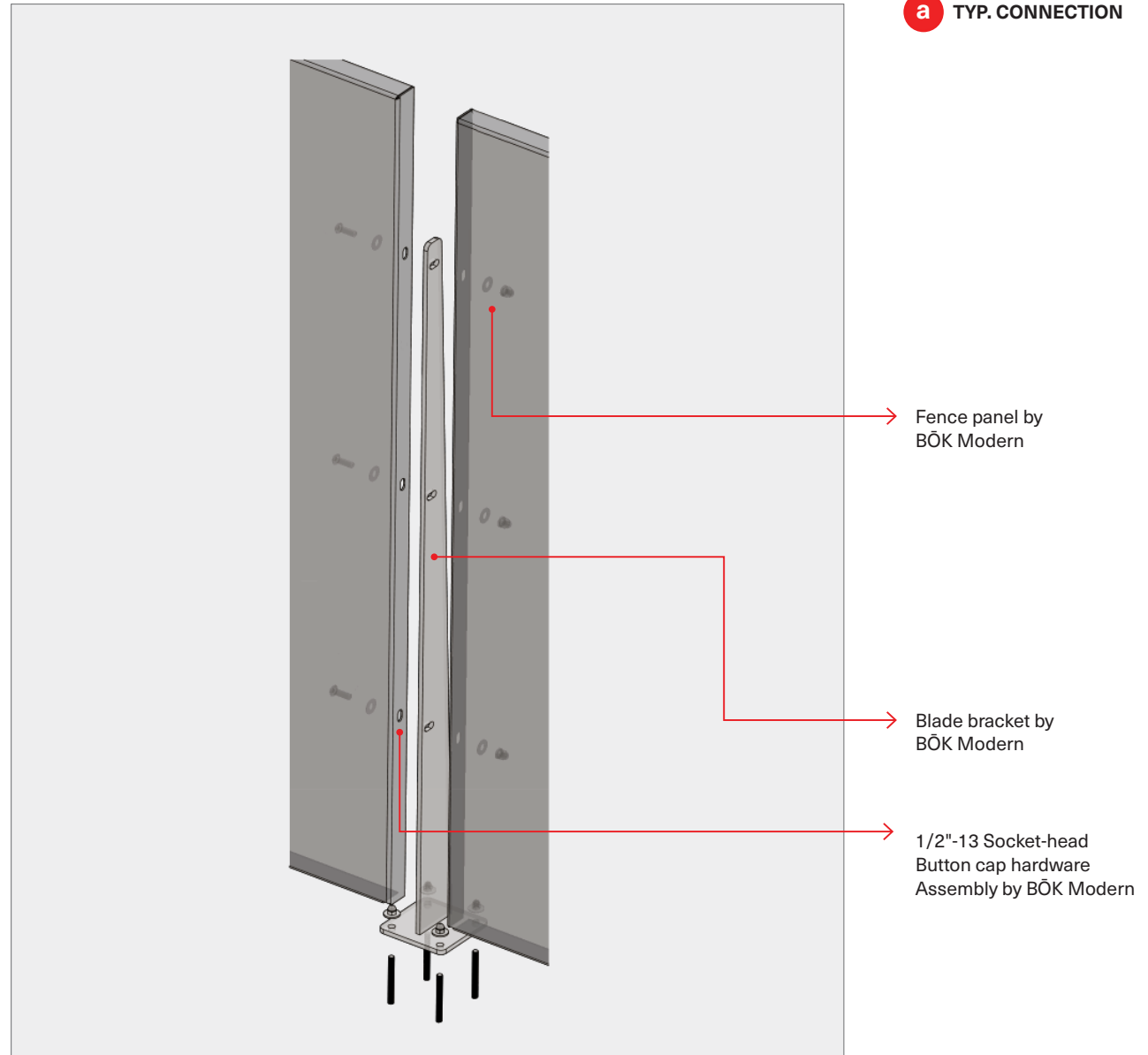
For any questions please call
415.749.6500 X 295

**LOW FENCE/
DIVIDER**

BOKMODERN.COM

For any questions please call
415.749.6500 X 295

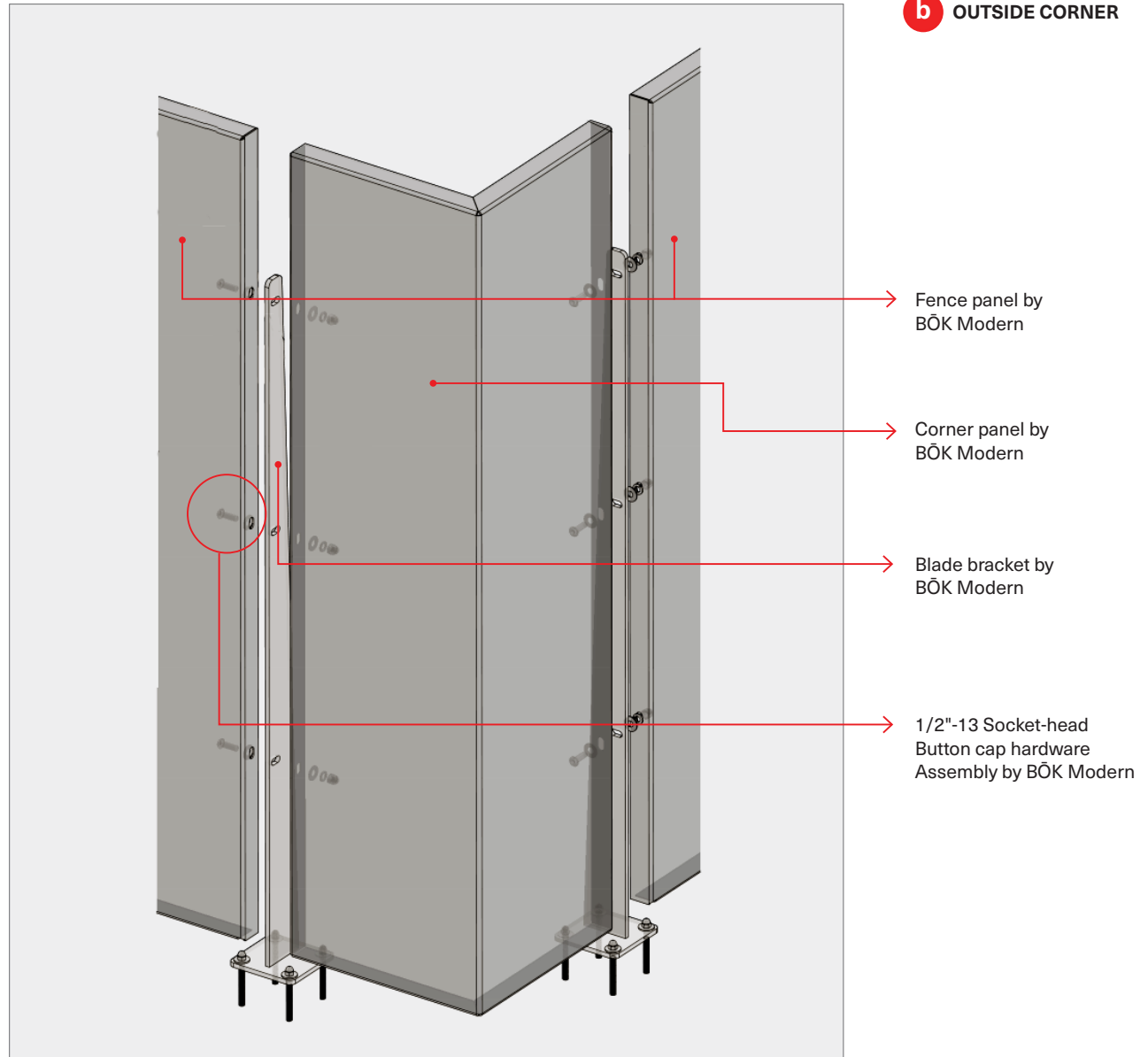
TYPICAL DETAILS



**LOW FENCE/
DIVIDER**

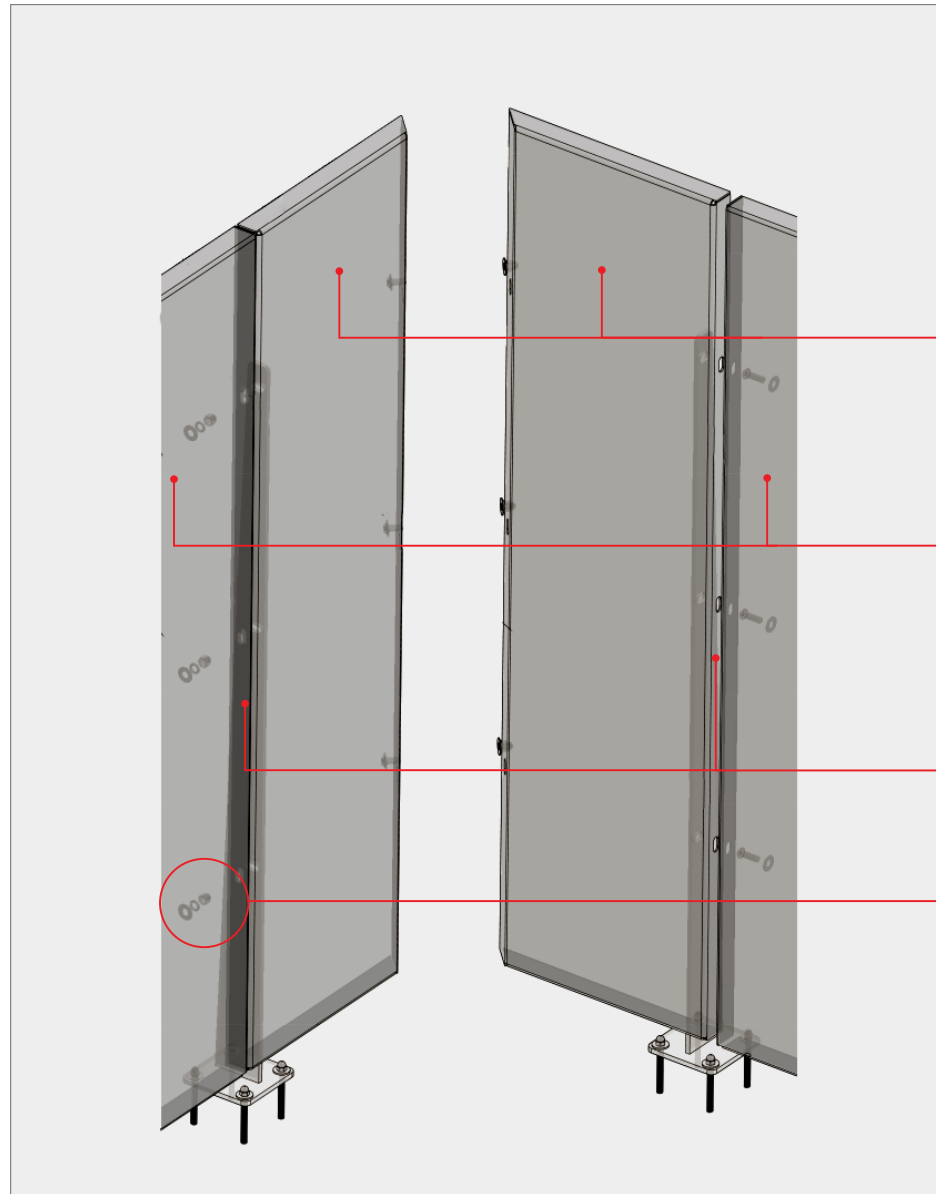
TYPICAL DETAILS

b OUTSIDE CORNER



**LOW FENCE/
DIVIDER**

TYPICAL DETAILS



C **INSIDE CORNER MITRE
PANELS UNDER 18" WIDE**

→ Corner panel by
BÖK Modern

→ Fence panel by
BÖK Modern

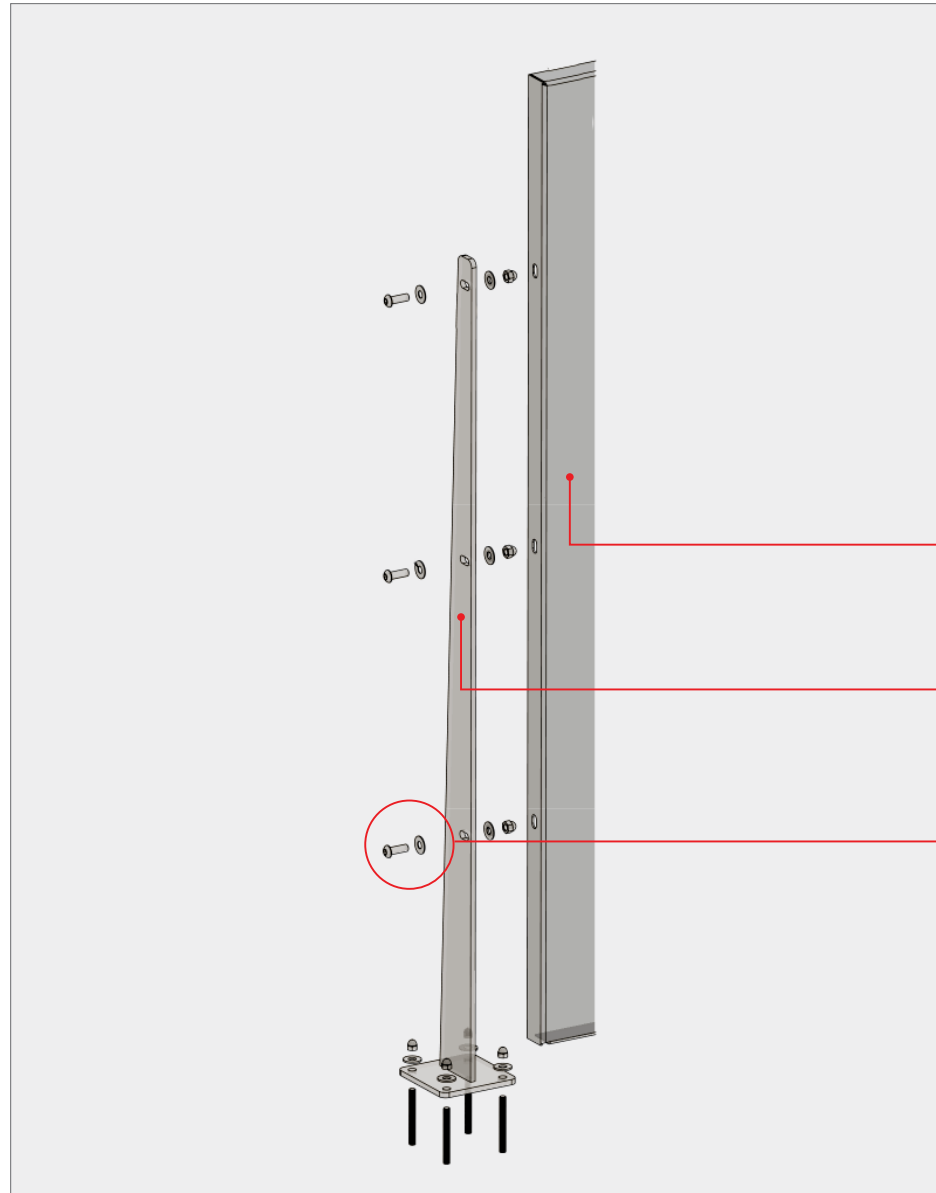
→ Blade bracket by
BÖK Modern

→ 1/2"-13 Socket-head
Button cap hardware
Assembly by BÖK Modern

**LOW FENCE/
DIVIDER**

TYPICAL DETAILS

d END CONNECTION

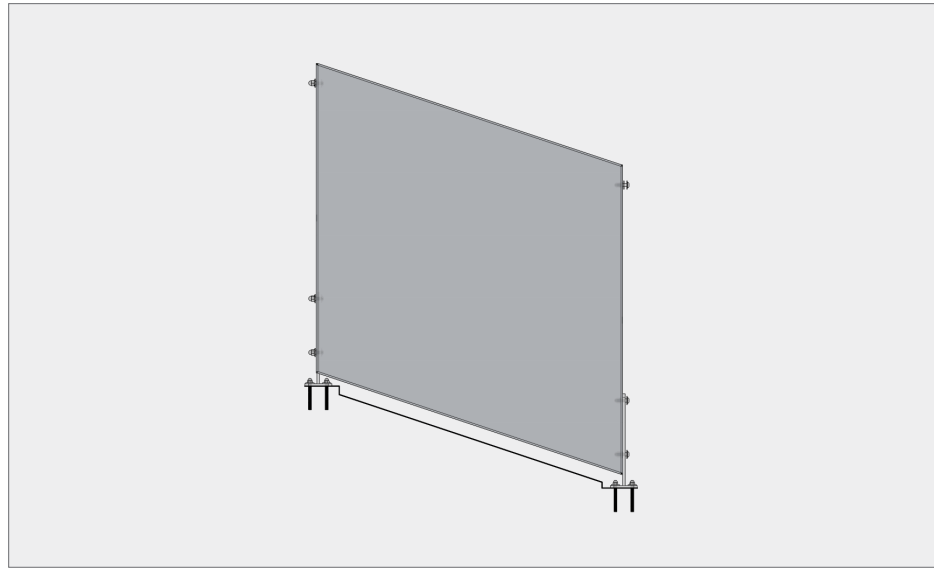


Fence panel by
BÖK Modern

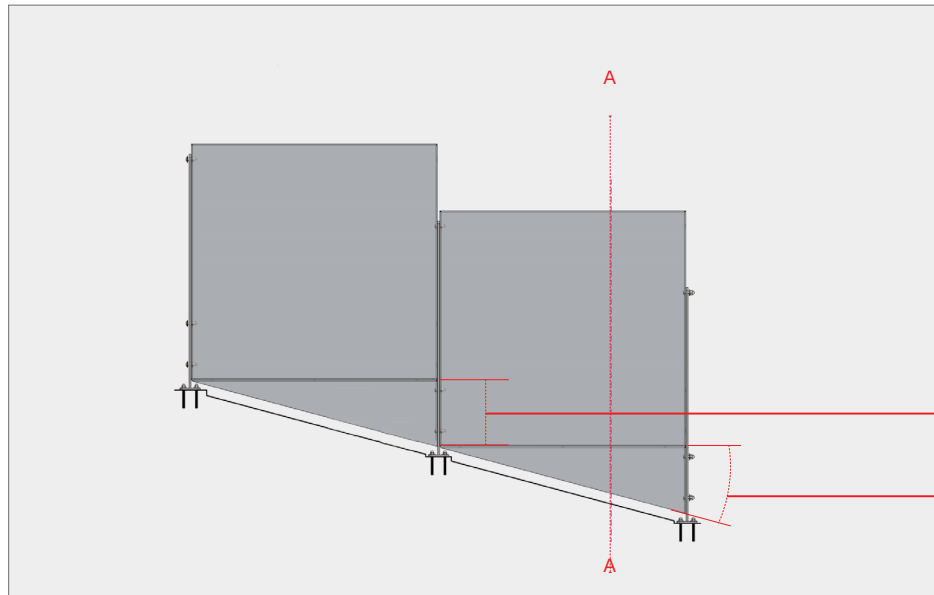
Blade bracket by
BÖK Modern

1/2"-13 Socket-head
Button cap hardware
Assembly by BÖK Modern

**LOW FENCE/
DIVIDER**



Custom Sloped Panels



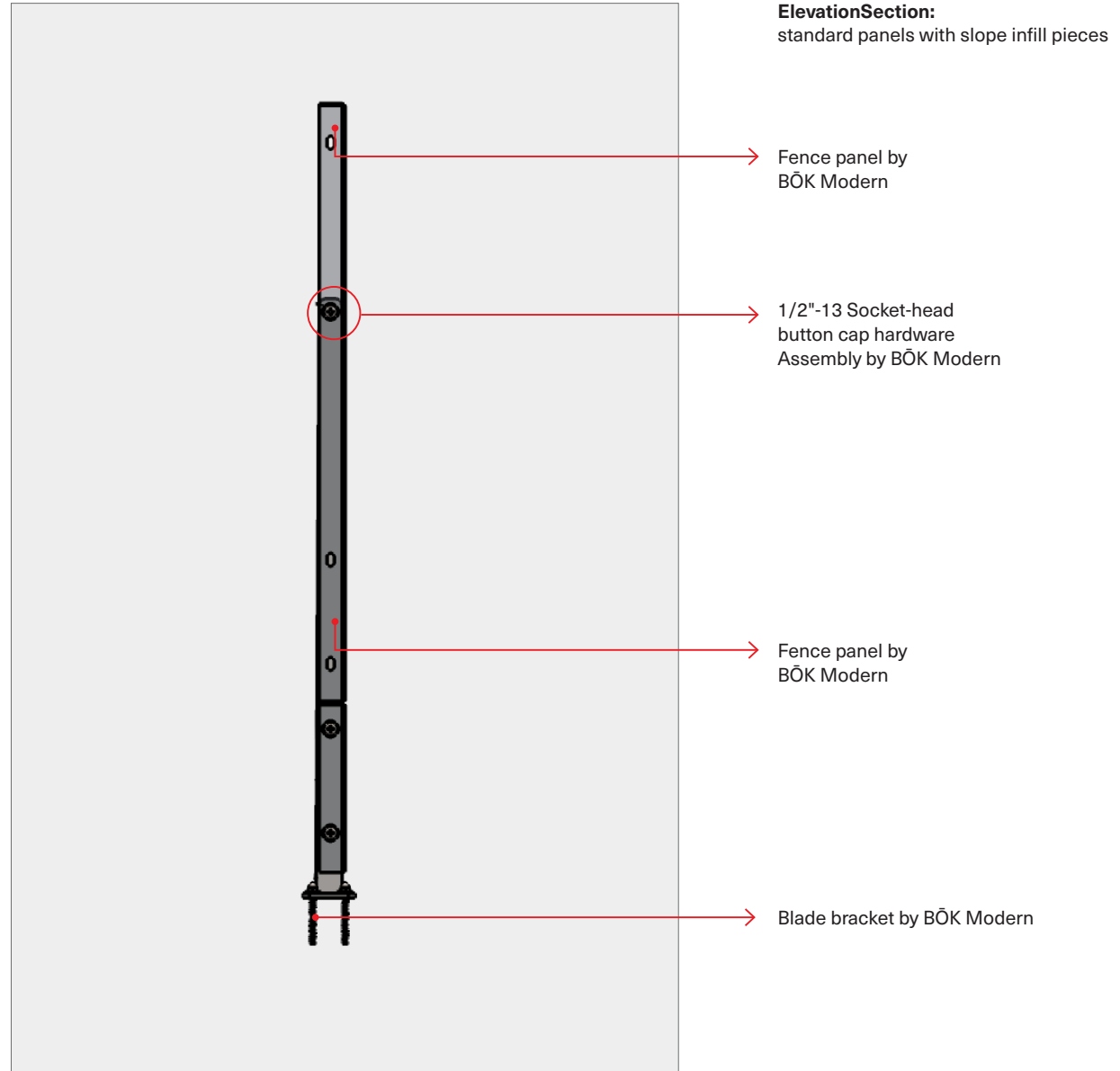
**Standard Panels with
Slope Infill Pieces**

Optimized panel sizing (slope):
To even further optimize the system,
typical panels can be used even on
slopes. Ask about our slope filler panels
and how they can be field modified to
accommodate any slope.

BOKMODERN.COM

For any questions please call
415.749.6500 X 295

**LOW FENCE/
DIVIDER**

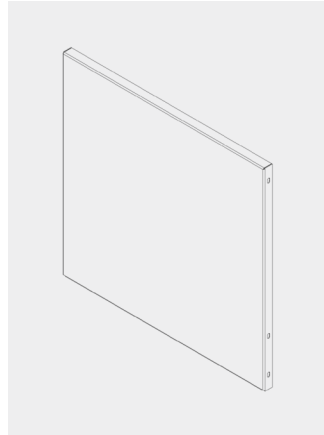


BOKMODERN.COM

For any questions please call
415.749.6500 X 295

**LOW FENCE/
DIVIDER**

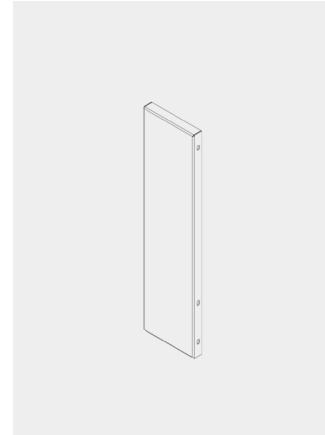
TYPICAL PANEL SIZES



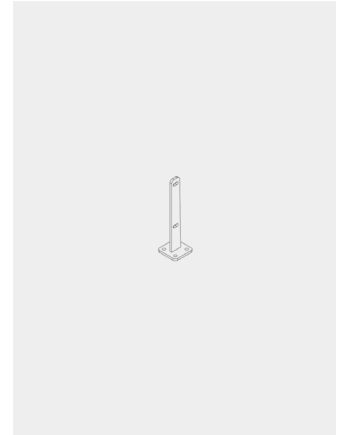
Width : 45"
Fence Height : 4', 6' and 8'



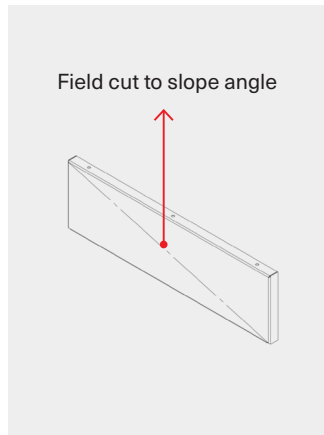
Width : 24"
Fence Height : 4', 6' and 8'



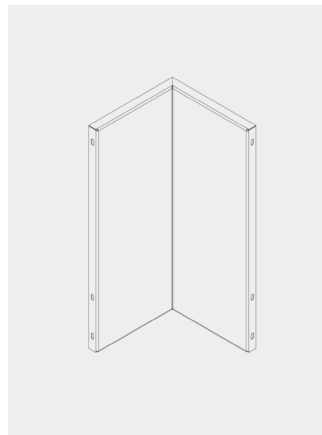
Width : 12"
Fence Height : 4', 6' and 8'



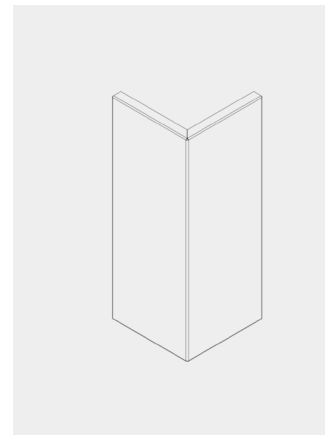
Blade



Sloped Skirt - Precut



Inside Corner ASM



Outside Corner