



POST FREE FENCE

A unique, patented fencing system, our Post-Free™ Fence is just that. Structural support is folded directly into the panel during fabrication which eases installation and results in a very seamless, clean design. Available in aluminum and Cor-Ten steel in heights up to 8' tall.

NOTE: Available in 4', 6' and 8' tall



These drawings can not be used for the purposes of soliciting, negotiating, procuring, fabricating or otherwise obtaining quotes from other vendors. They are the sole and absolute property of BOK Modern and may only be used by or under license from BOK Modern.

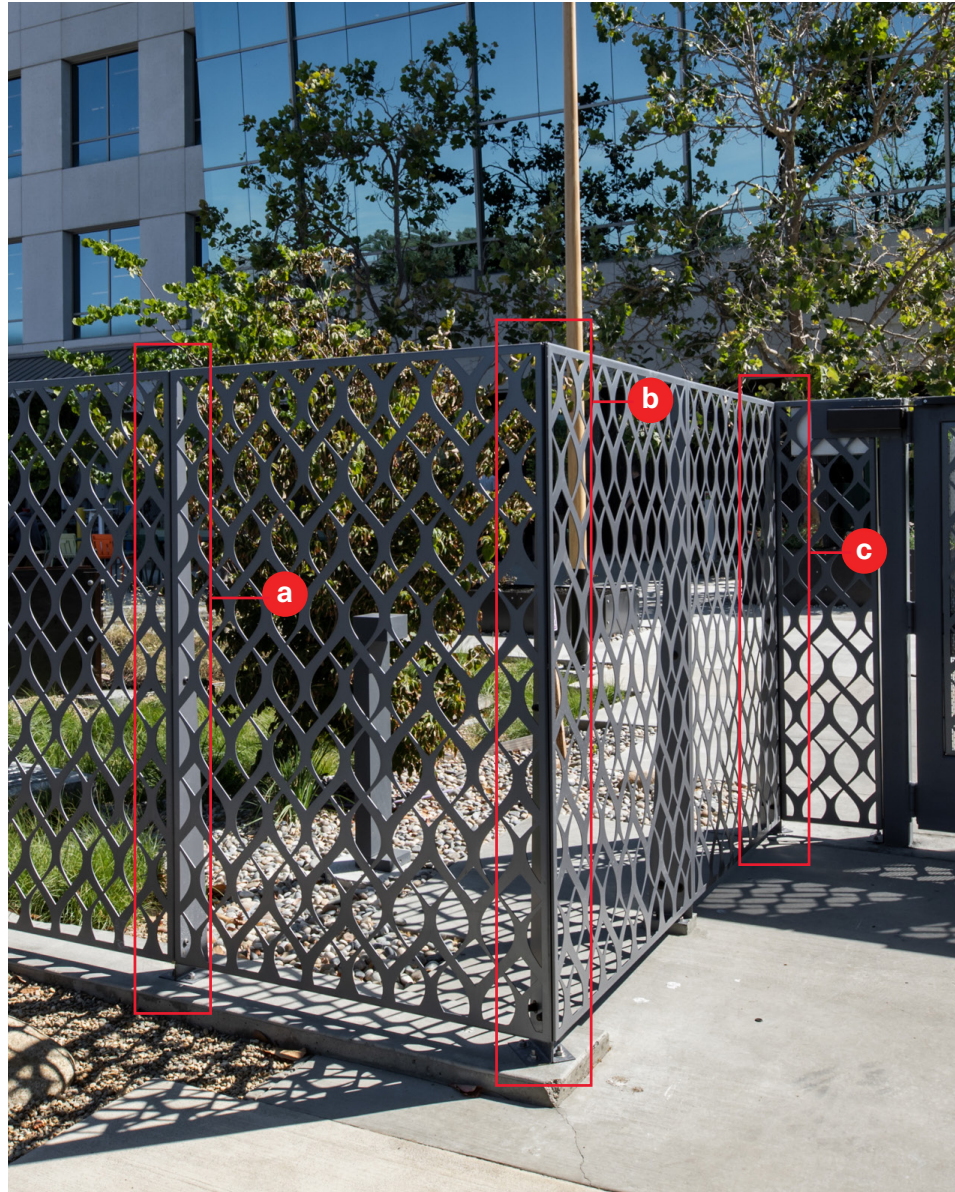
Any reproduction, distribution, modification, public display or representation of the content in these drawings, in part or as a whole, in any medium, without the prior express written consent of BOK Modern LLC, is strictly prohibited and may result in legal action.

**POST FREE
FENCE**

BOKMODERN.COM

For any questions please call
415.749.6500 X 295

TYPICAL DETAILS

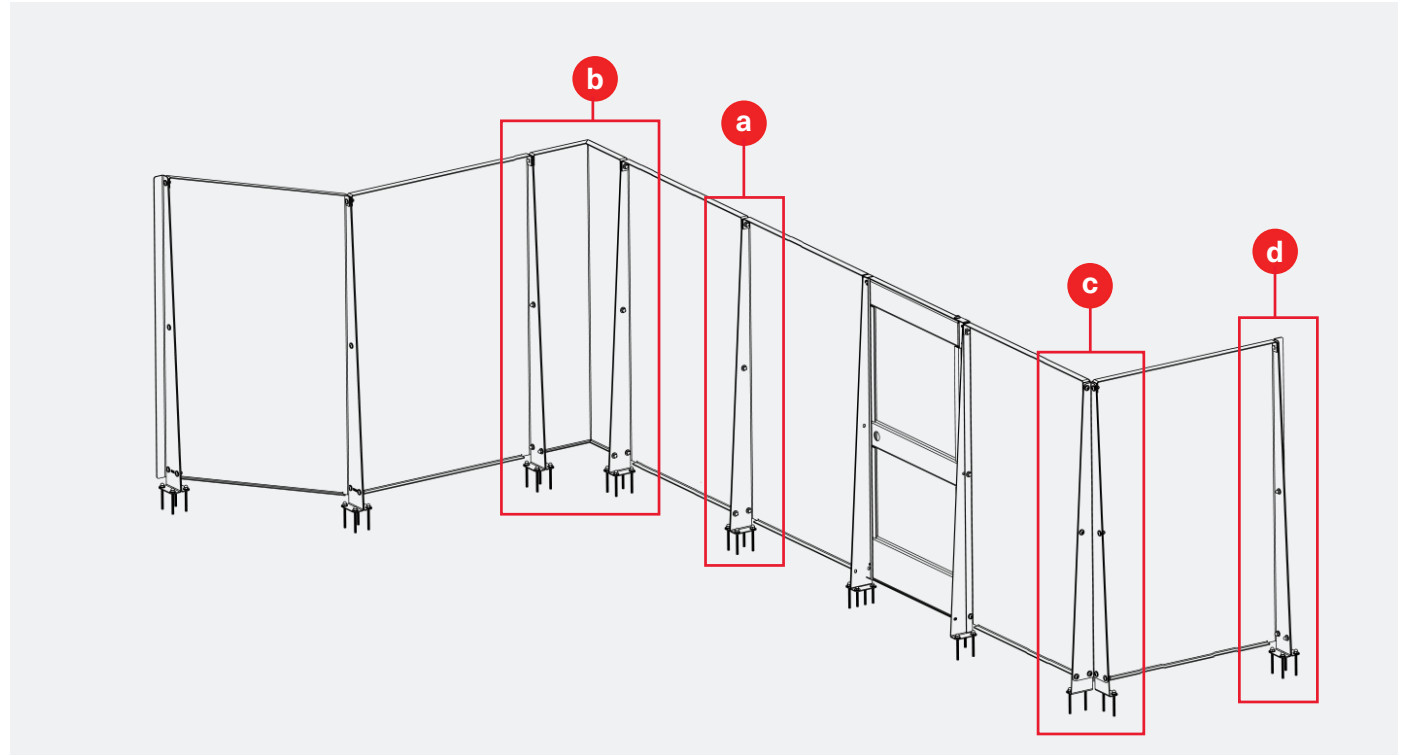


DETAIL KEY

- (a)** Typ Connection
- (b)** Outside Corner
- (c)** Inside Corner

**POST FREE
FENCE**

TYPICAL DETAILS

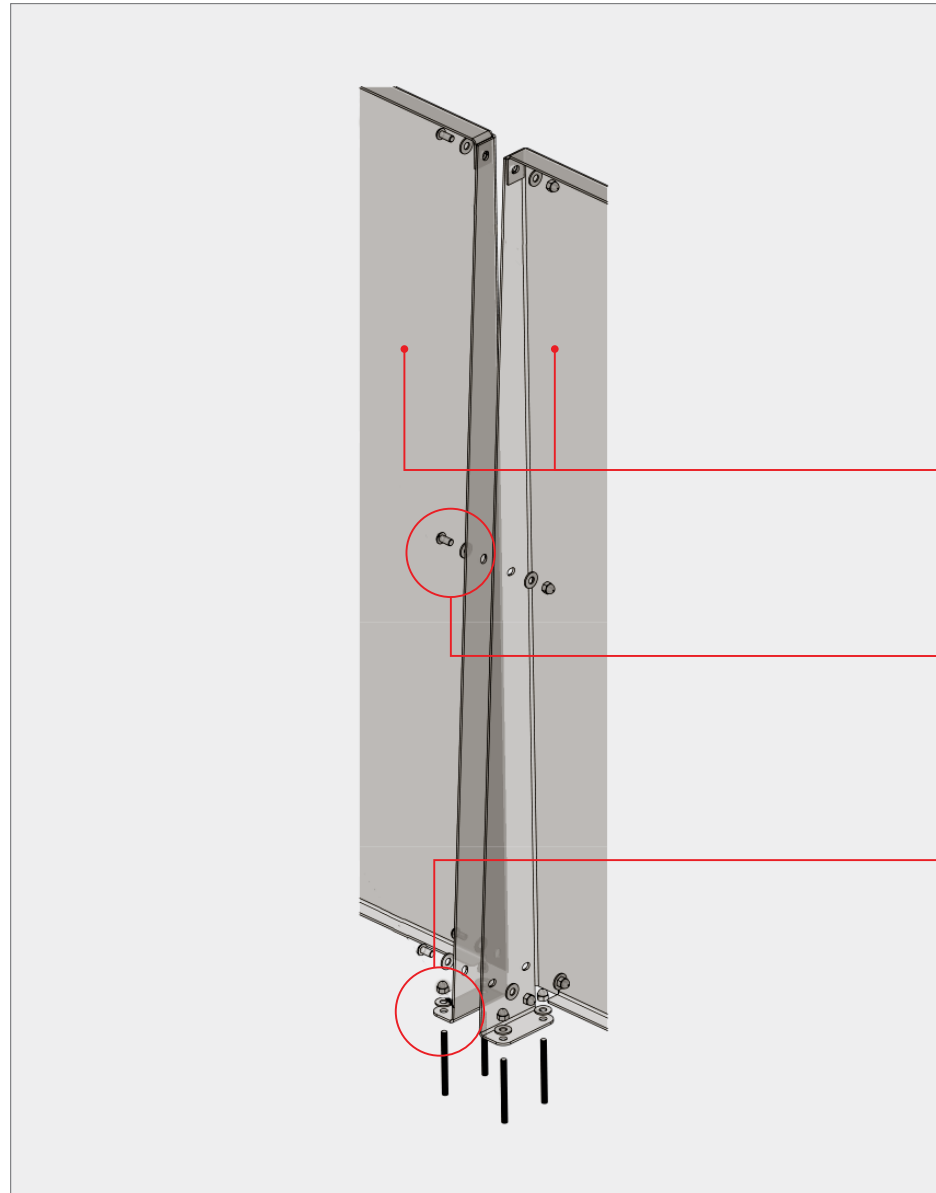


DETAIL KEY

- Ⓐ Typ Connection
- Ⓑ Outside Corner
- Ⓒ Inside Corner
- Ⓓ End Connection

**POST FREE
FENCE**

a TYP. CONNECTION



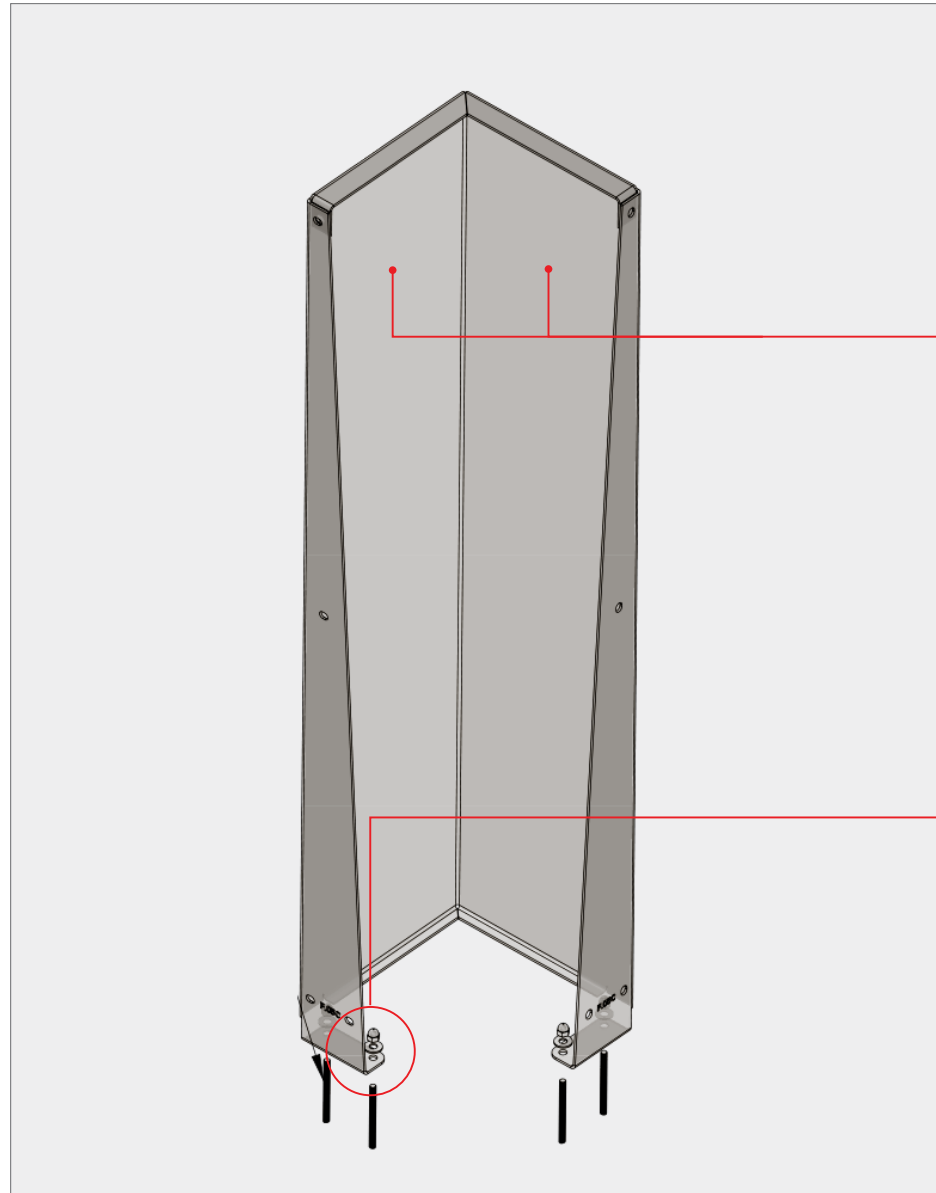
Post free fence
Panel by BÖK Modern

1/2"-13 Socket-head
Button cap hardware
Assembly by BÖK Modern

1/2" Anchor
Into substrate
By other

**POST FREE
FENCE**

b OUTSIDE CORNER



Post free fence panel
By BÖK Modern

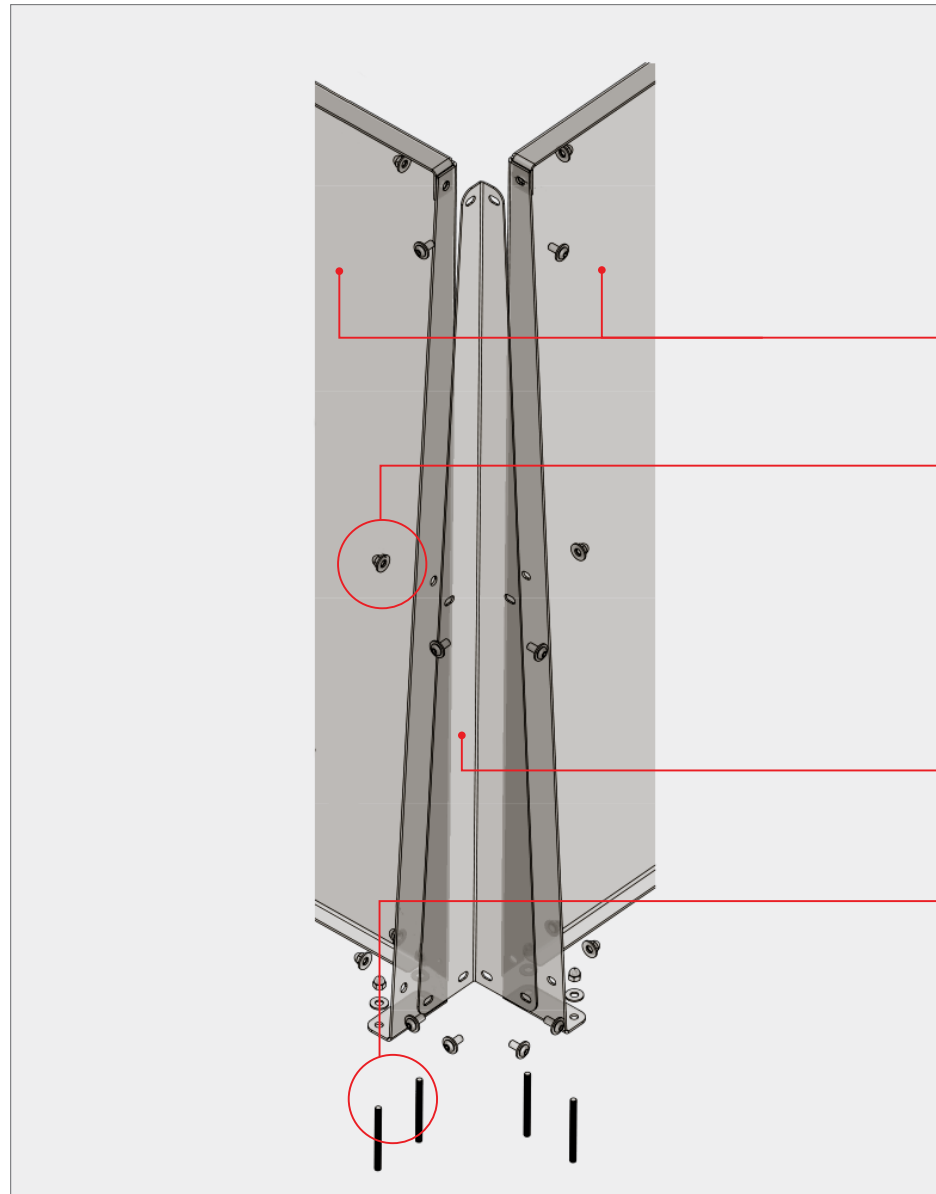
1/2" Anchor
Into substrate
By other

**POST FREE
FENCE**

BOKMODERN.COM

For any questions please call
415.749.6500 X 295

TYPICAL DETAILS



C INSIDE CORNER

→ Corner panel by
BÖK Modern

→ 1/2"-13 Socket-head
Button cap hardware
Assembly by BÖK Modern

→ Inside corner
Bracket

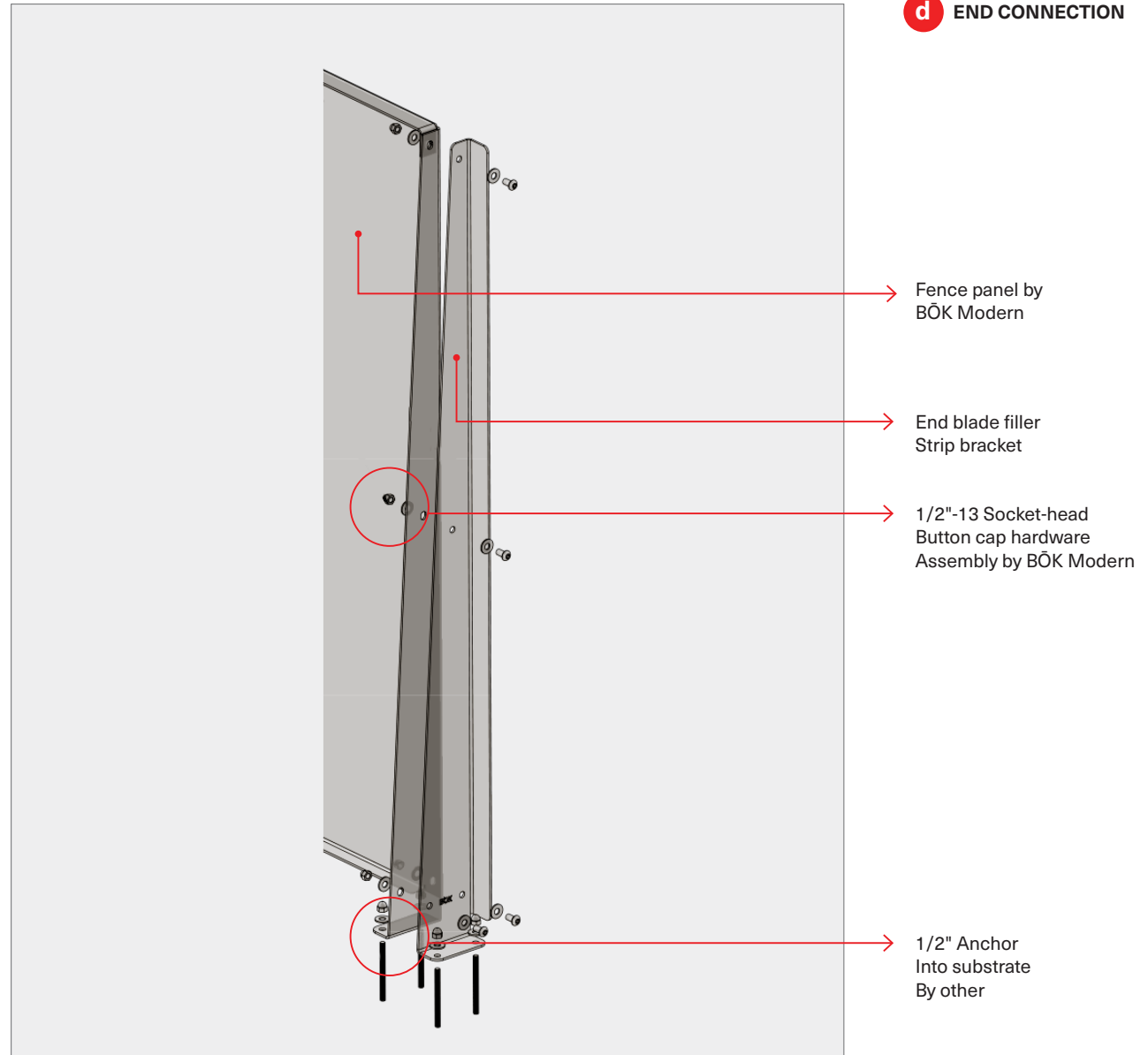
→ 1/2" Anchor
Into substrate
By other

**POST FREE
FENCE**

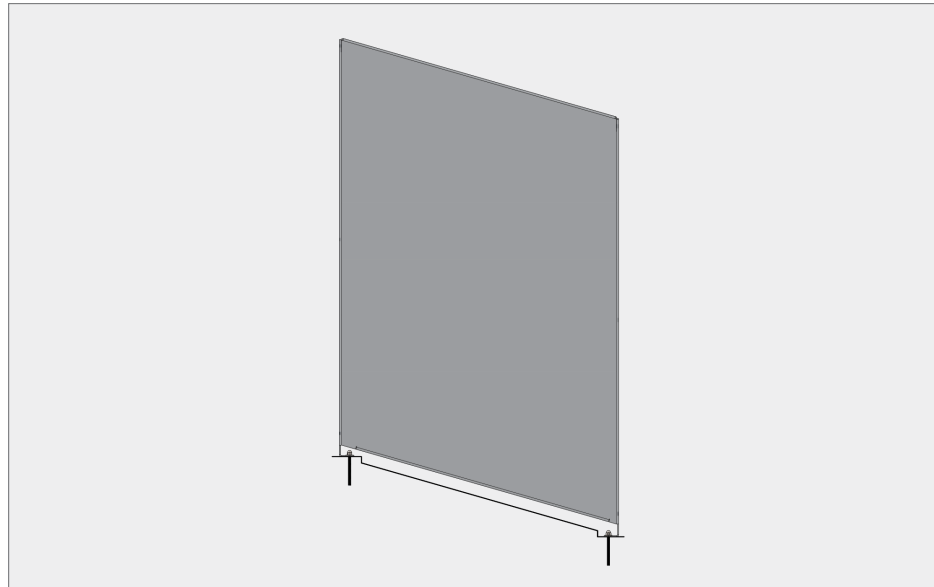
BOKMODERN.COM

For any questions please call
415.749.6500 X 295

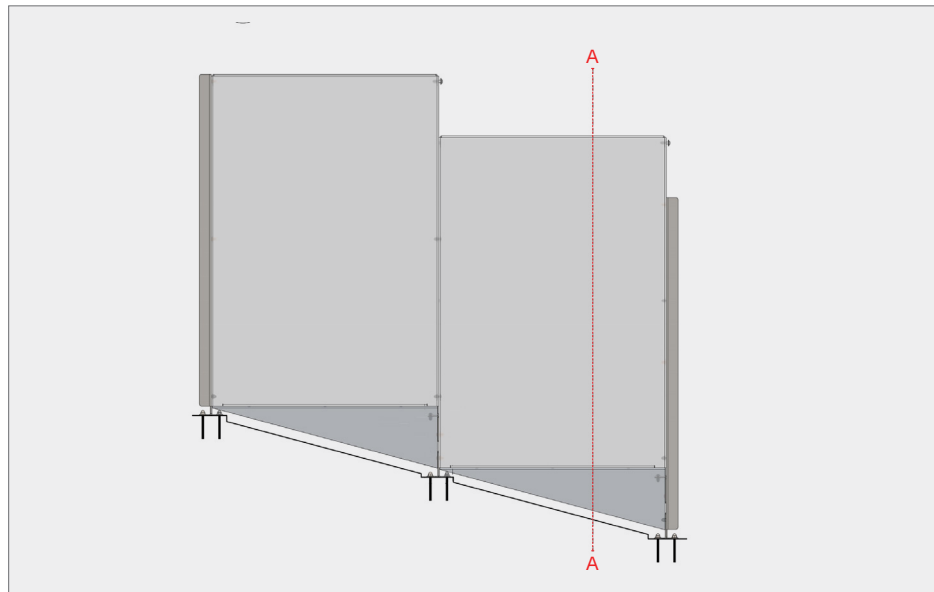
TYPICAL DETAILS



**POST FREE
FENCE**



Custom Sloped Panels

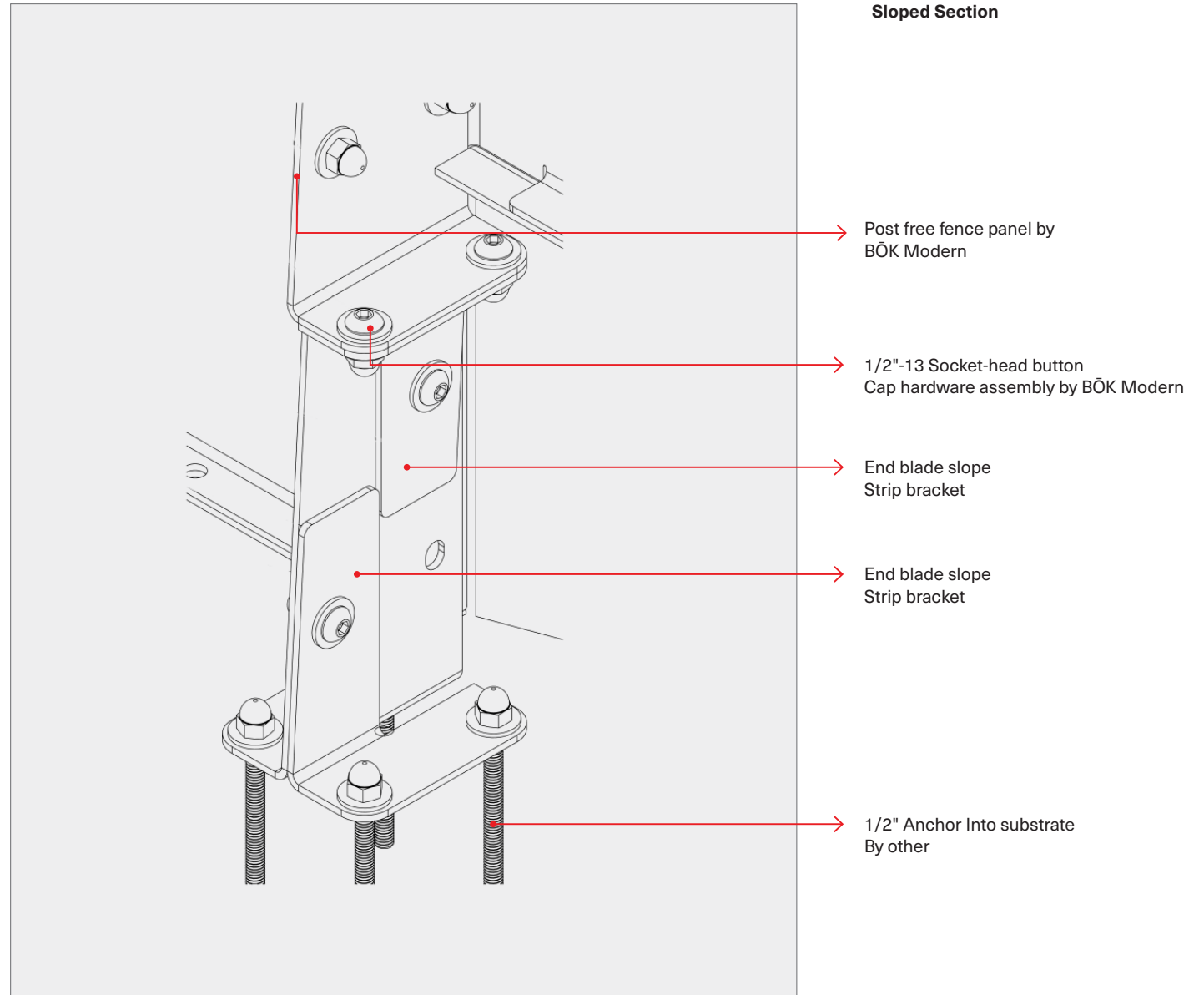


**Standard Panels With
Slope Infill Pieces**

Optimized panel sizing (slope):
To even further optimize the system,
typical panels can be used even on
slopes. Ask about our slope filler panels
and how they can be field modified to
accommodate any slope.

TYPICAL DETAILS: SLOPED FENCE

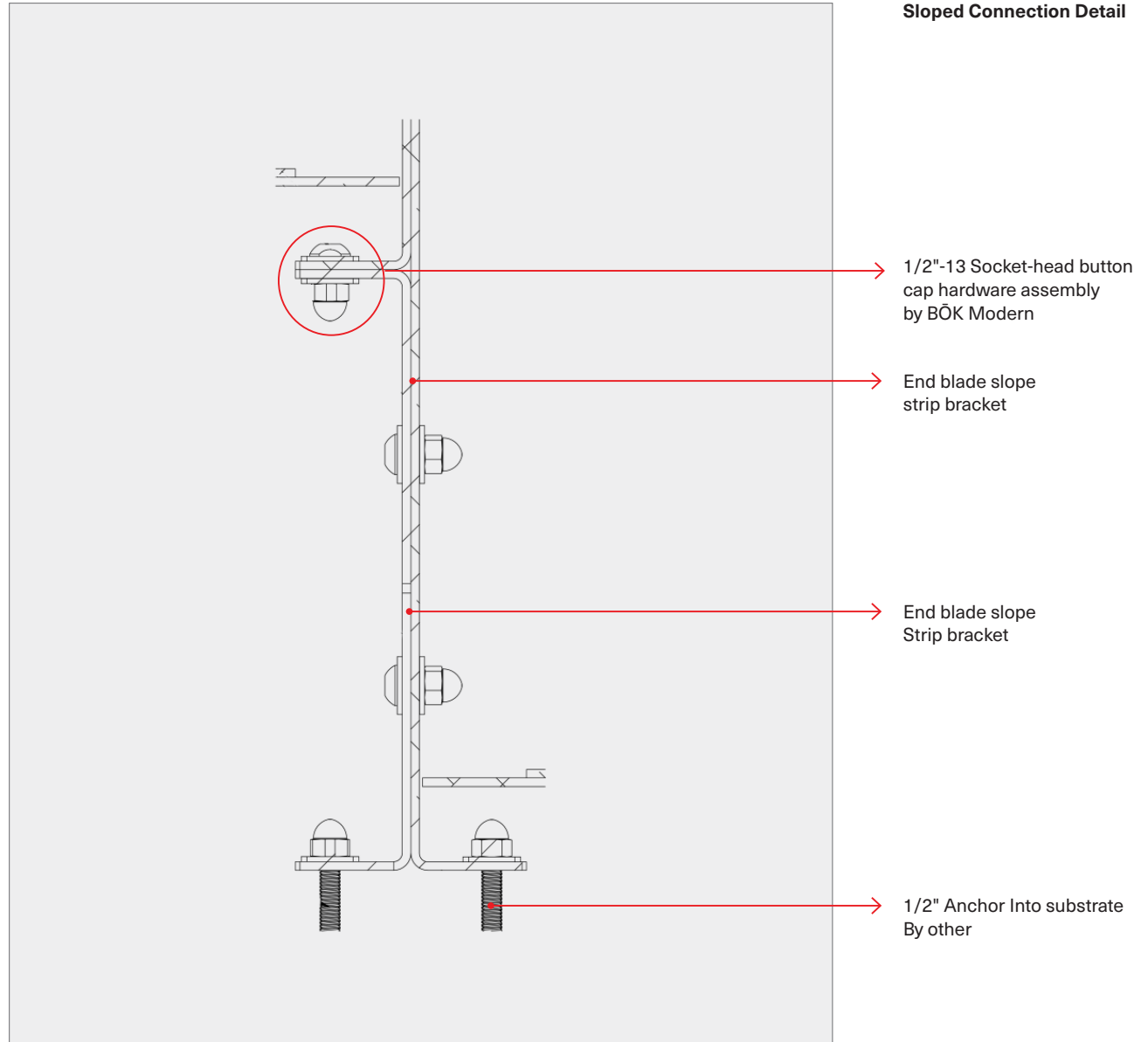
**POST FREE
FENCE**



BOKMODERN.COM

For any questions please call
415.749.6500 X 295

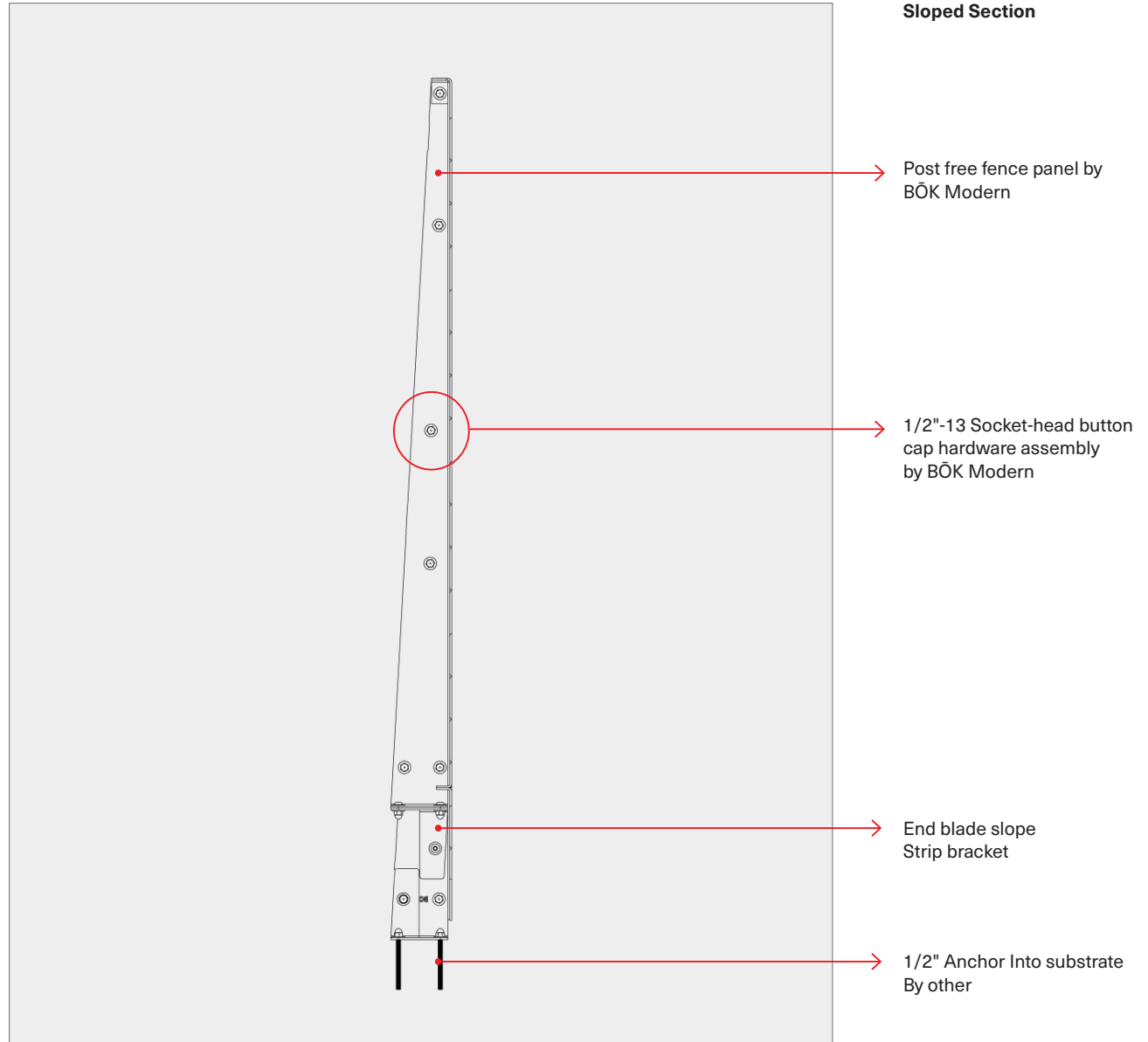
**POST FREE
FENCE**



BOKMODERN.COM

For any questions please call
415.749.6500 X 295

**POST FREE
FENCE**

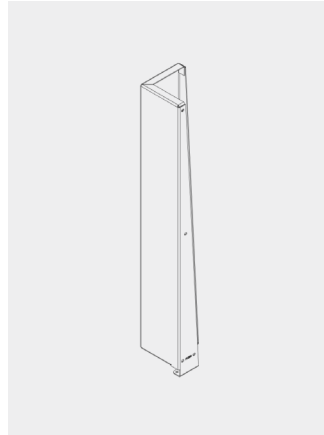


BOKMODERN.COM

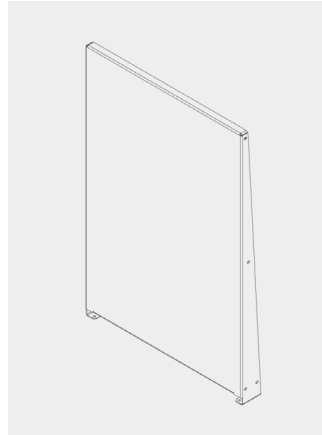
For any questions please call
415.749.6500 X 295

**POST FREE
FENCE**

TYPICAL PANEL SIZES



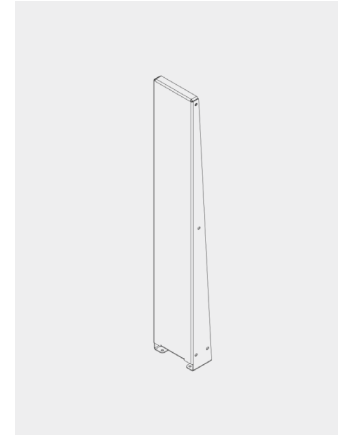
Outside Corner



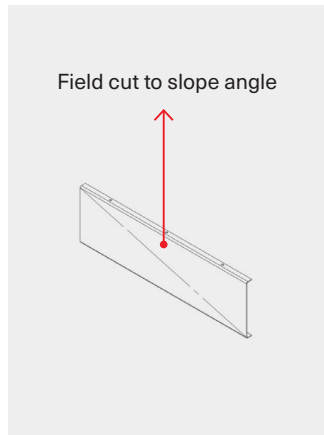
Width : 48"
Fence Height : 4', 6' and 8'



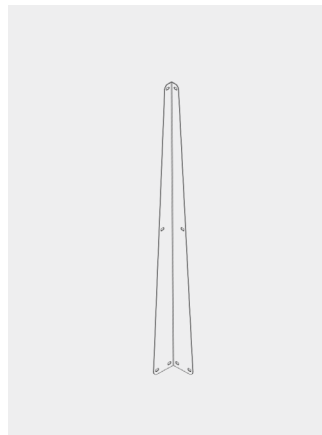
Width : 24"
Fence Height : 4', 6' and 8'



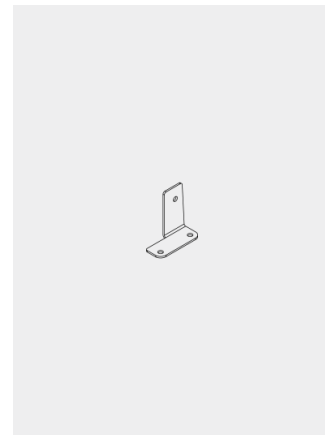
Width : 12"
Fence Height : 4', 6' and 8'



Sloped Skirt - Precut



Inside Corner Bracket



Slope Transition Bracket

NOTE:

Optimized panel sizing: In order to optimize the bok system in the most financially efficient way, utilize these panel sizes.