



ROD & CLEVIS CANOPY

For canopies with deeper overhangs, our Rod and Clevis Canopy can be paired with either our Direct Mount Canopy or our Bracketed Canopy Systems.

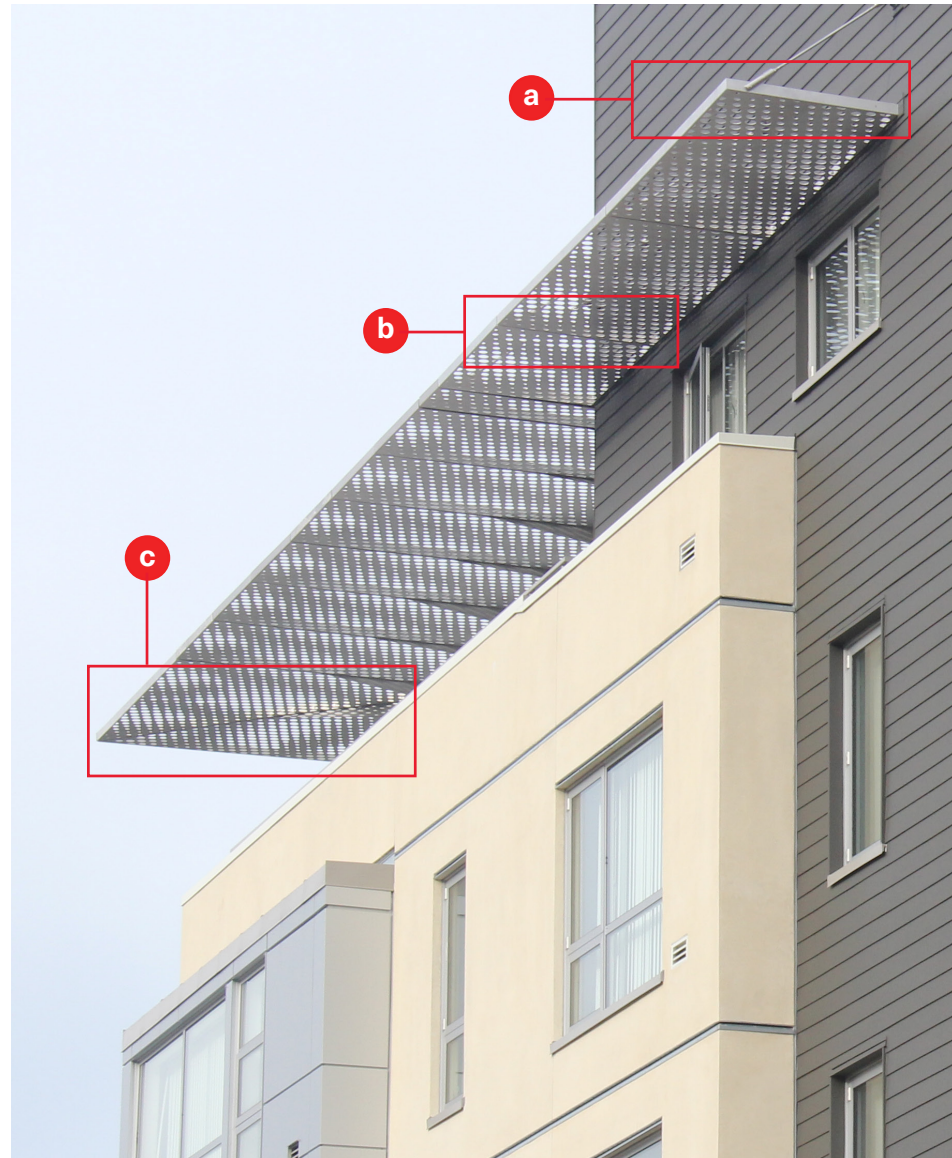
These drawings can not be used for the purposes of soliciting, negotiating, procuring, fabricating or otherwise obtaining quotes from other vendors. They are the sole and absolute property of BOK Modern and may only be used by or under license from BOK Modern.

Any reproduction, distribution, modification, public display or representation of the content in these drawings, in part or as a whole, in any medium, without the prior express written consent of BOK Modern LLC, is strictly prohibited and may result in legal action.



**ROD & CLEVIS
CANOPY**

TYPICAL DETAILS



DETAIL KEY

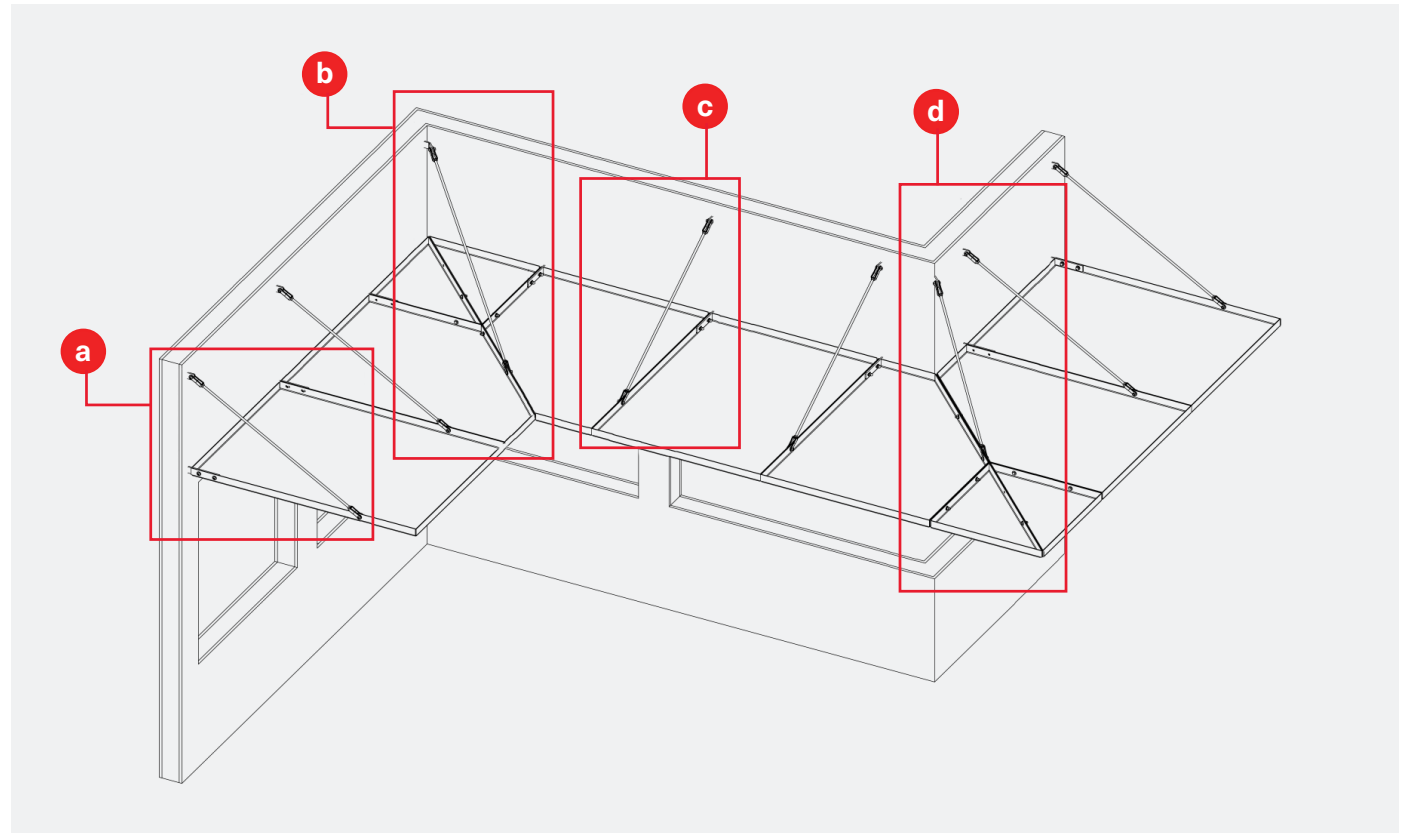
- Ⓐ Exploded end condition
- Ⓑ Exploded typ. Condition
- Ⓒ Exploded outside corner

BOKMODERN.COM

For any questions please call
415.749.6500 X 295

**ROD & CLEVIS
CANOPY**

GATE EXPLODED



DETAIL KEY

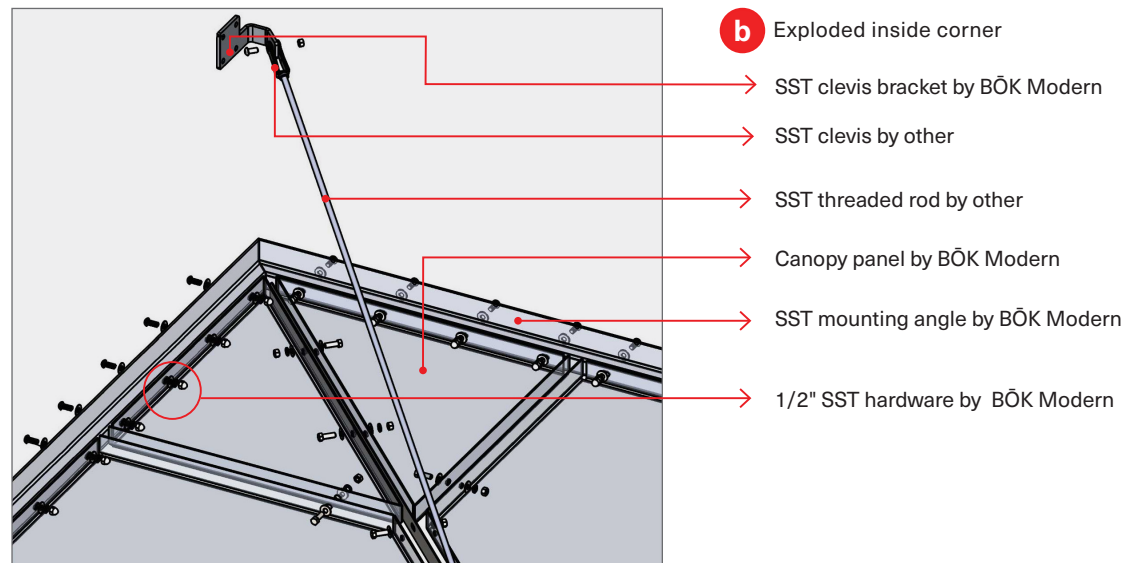
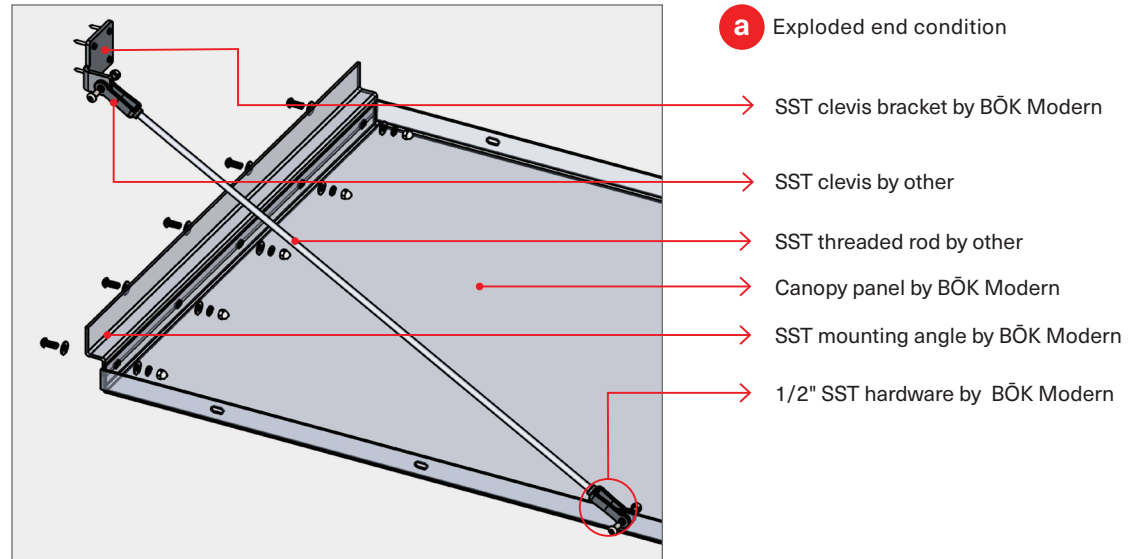
- (a) Exploded end condition
- (b) Exploded inside corner
- (c) Exploded typ. condition
- (d) Exploded outside corner

BOKMODERN.COM

For any questions please call
415.749.6500 X 295

**ROD & CLEVIS
CANOPY**

TYPICAL DETAILS

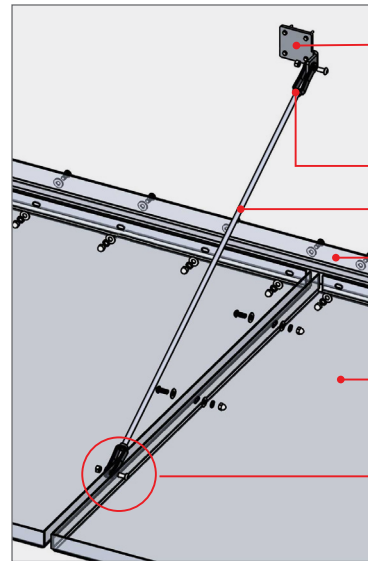


BOKMODERN.COM

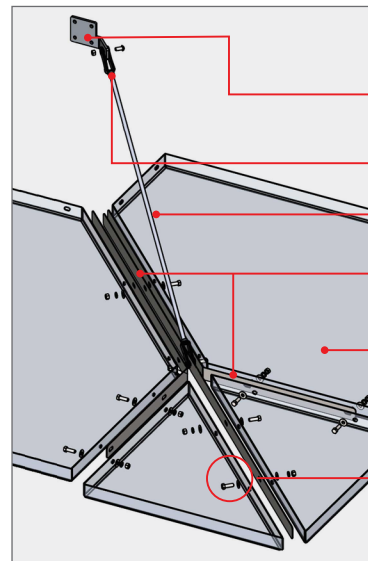
For any questions please call
415.749.6500 X 295

**ROD & CLEVIS
CANOPY**

TYPICAL DETAILS



- c** Exploded typ. condition
- SST clevis bracket by BÖK Modern
- SST clevis by other
- SST threaded rod by other
- SST mounting angle by BÖK Modern
- Canopy panel by BÖK Modern
- 1/2" SST hardware by BÖK Modern



- d** Exploded outside corner
- SST clevis bracket by BÖK Modern
- SST clevis by other
- SST threaded rod by other
- SST stiffener by BÖK Modern
- Canopy panel by BÖK Modern
- 1/2" SST hardware by BÖK Modern

BOKMODERN.COM

For any questions please call
415.749.6500 X 295