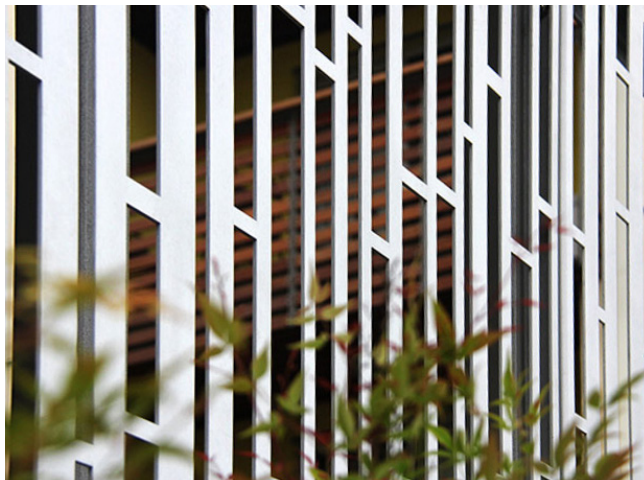




BLADE POST FENCE

Our Blade Post Fence uses a thin blade for lateral support rather than a heavy post. Providing a nearly seamless look, the result is a very contemporary appearance constructed in solid metal or with a virtually infinite array of patterns.

NOTE: Available in 4', 6' and 8' tall



These drawings can not be used for the purposes of soliciting, negotiating, procuring, fabricating or otherwise obtaining quotes from other vendors. They are the sole and absolute property of BOK Modern and may only be used by or under license from BOK Modern.

Any reproduction, distribution, modification, public display or representation of the content in these drawings, in part or as a whole, in any medium, without the prior express written consent of BOK Modern LLC. is strictly prohibited and may result in legal action.

**BLADE POST
FENCE**

TYPICAL DETAILS



DETAIL KEY

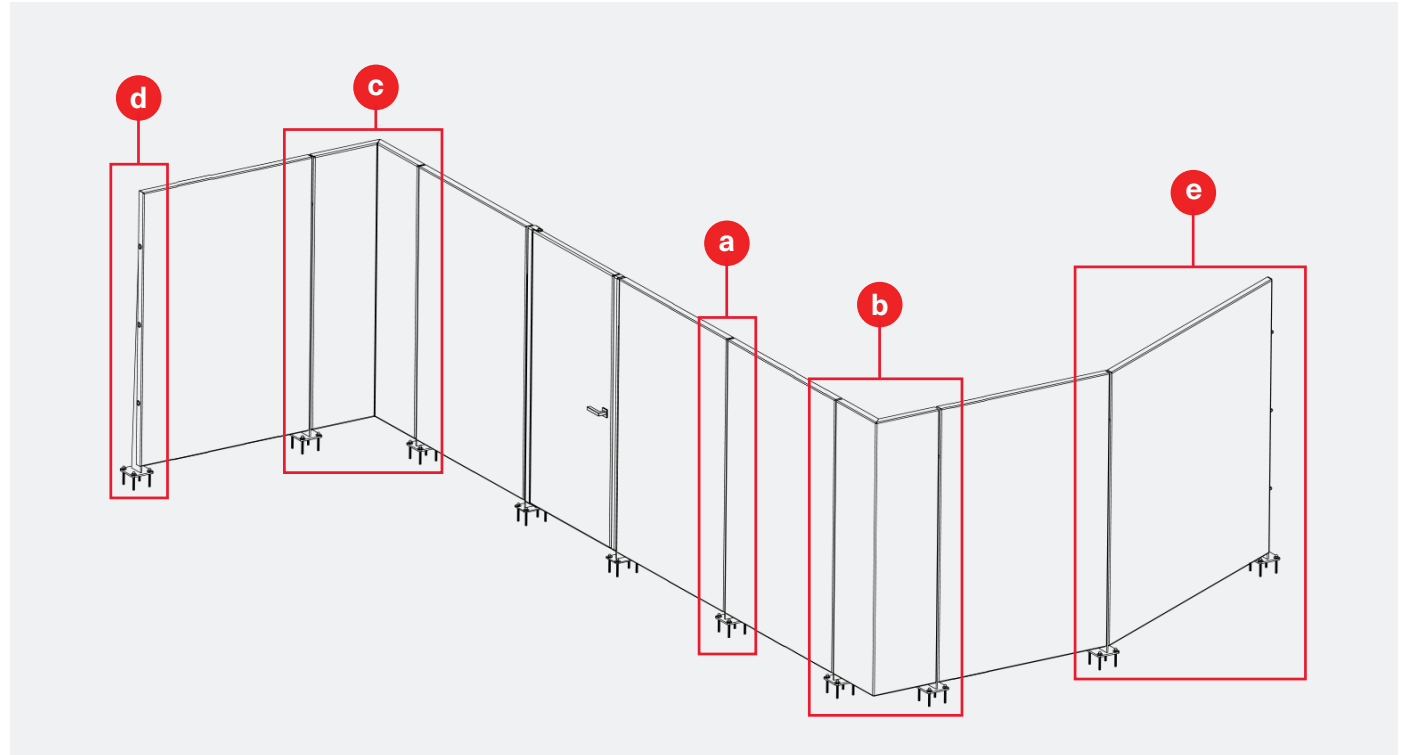
- Ⓐ Typ Connection
- Ⓑ Outside Corner
- Ⓒ Inside Corner

BOKMODERN.COM

For any questions please call
415.749.6500 X 295

**BLADE POST
FENCE**

TYPICAL DETAILS



DETAIL KEY

- Ⓐ Typ Connection
- Ⓑ Outside Corner
- Ⓒ Inside Corner
- Ⓓ End Connection
- Ⓔ Slope

BOKMODERN.COM

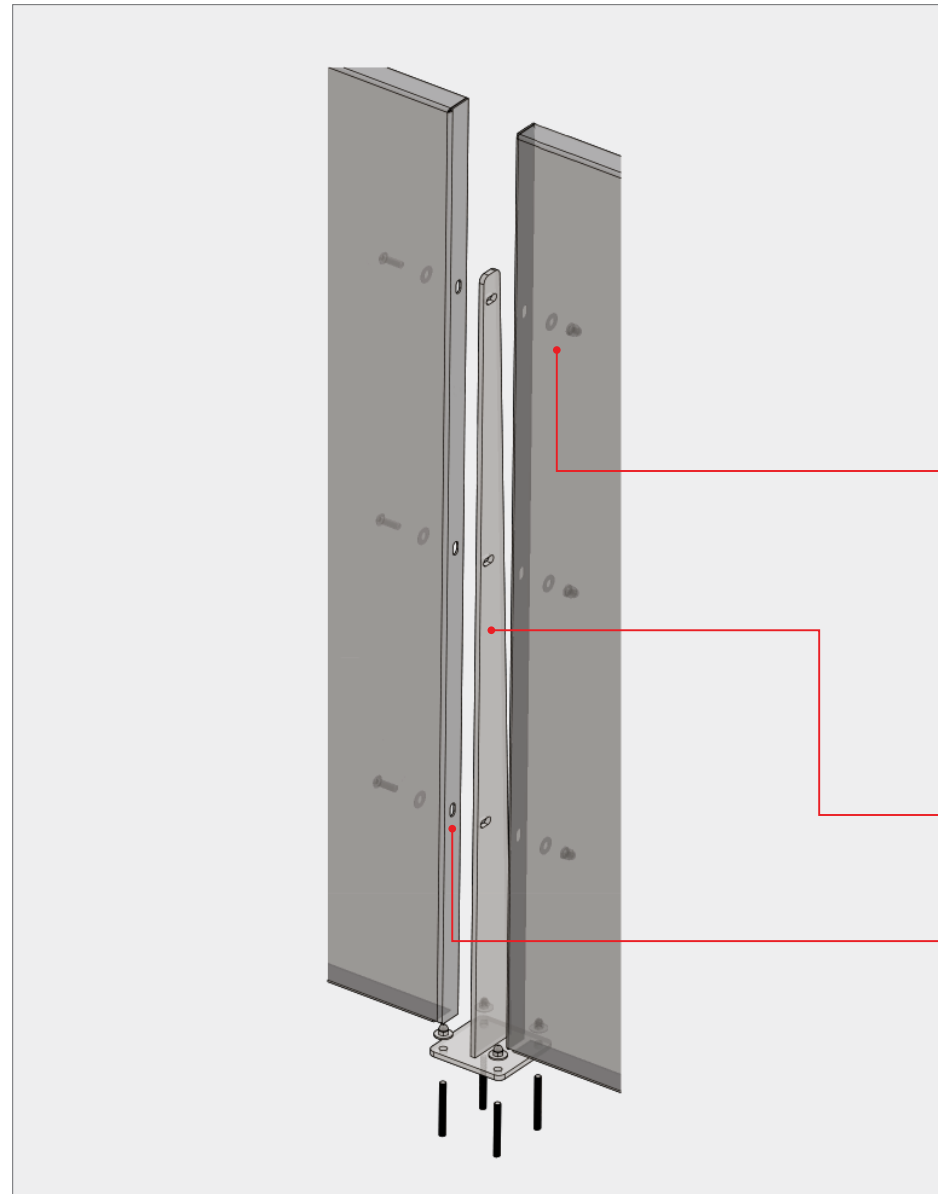
For any questions please call
415.749.6500 X 295

**BLADE POST
FENCE**

BOKMODERN.COM

For any questions please call
415.749.6500 X 295

TYPICAL DETAILS



a TYP. CONNECTION

Fence panel by
BÖK Modern

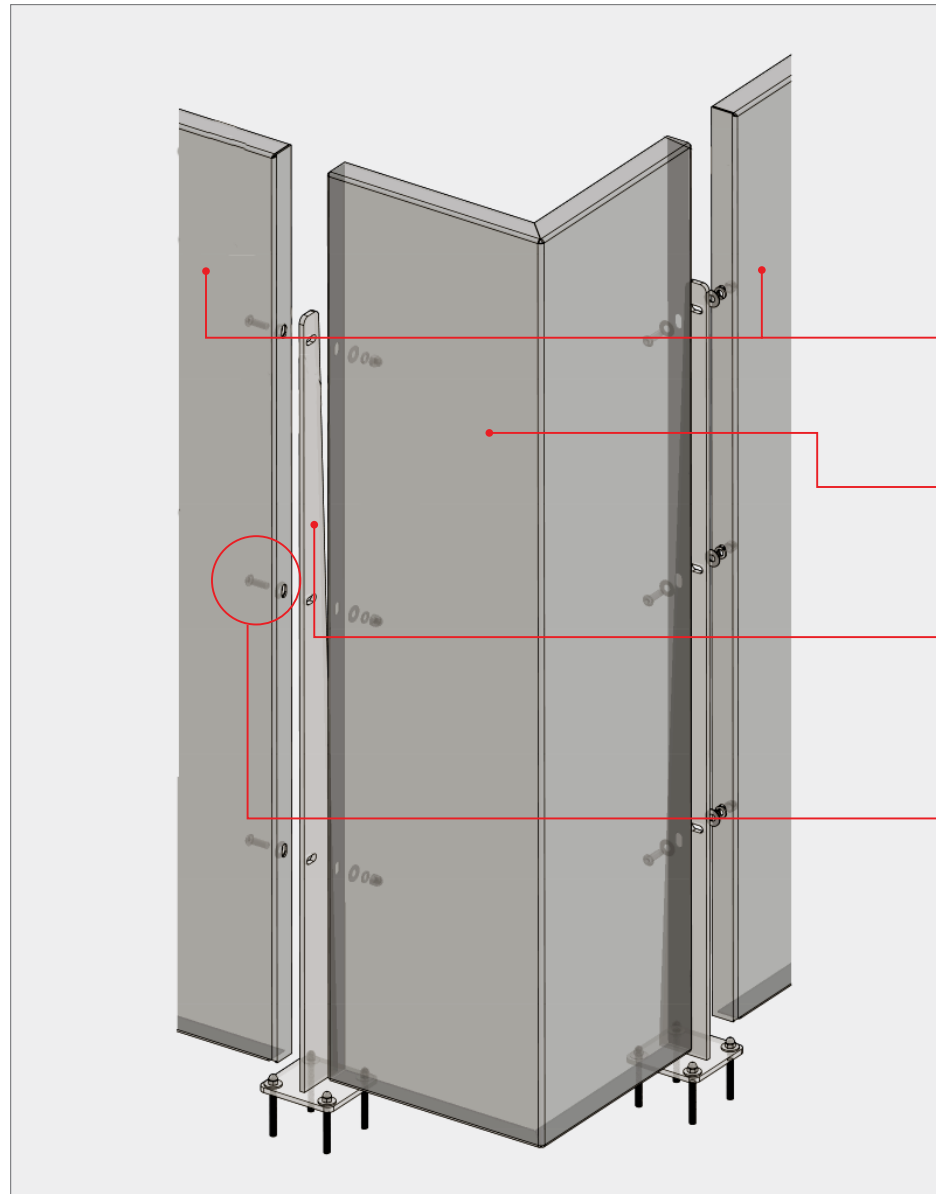
Blade bracket by
BÖK Modern

1/2"-13 Socket-head
Button cap hardware
Assembly by BÖK Modern

**BLADE POST
FENCE**

TYPICAL DETAILS

b OUTSIDE CORNER



Fence panel by
BÖK Modern

Corner panel by
BÖK Modern

Blade bracket by
BÖK Modern

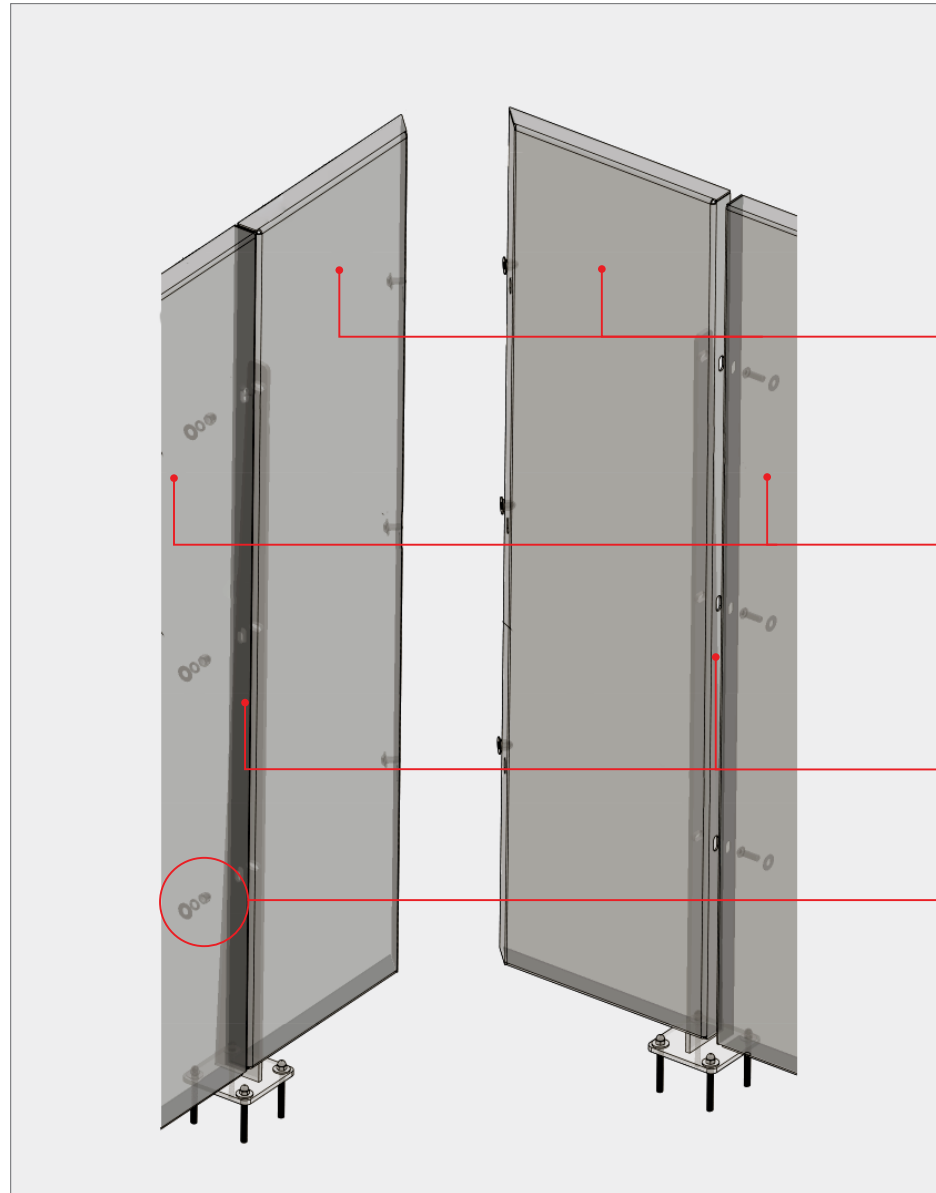
1/2"-13 Socket-head
Button cap hardware
Assembly by BÖK Modern

**BLADE POST
FENCE**

BOKMODERN.COM

For any questions please call
415.749.6500 X 295

TYPICAL DETAILS



C **INSIDE CORNER MITRE
PANELS UNDER 18" WIDE**

→ **Corner panel by
BÖK Modern**

→ **Fence panel by
BÖK Modern**

→ **Blade bracket by
BÖK Modern**

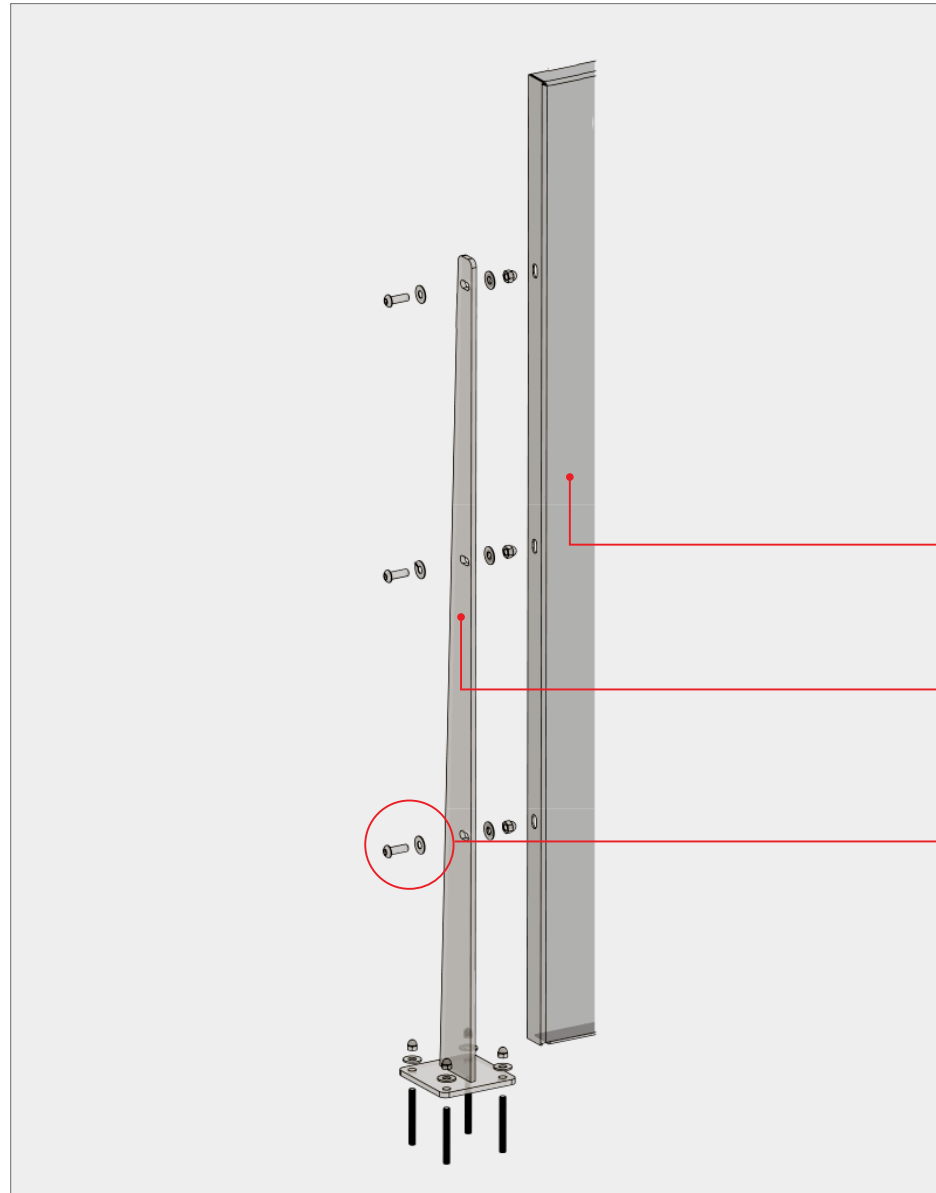
→ **1/2"-13 Socket-head
Button cap hardware
Assembly by BÖK Modern**

**BLADE POST
FENCE**

BOKMODERN.COM

For any questions please call
415.749.6500 X 295

TYPICAL DETAILS



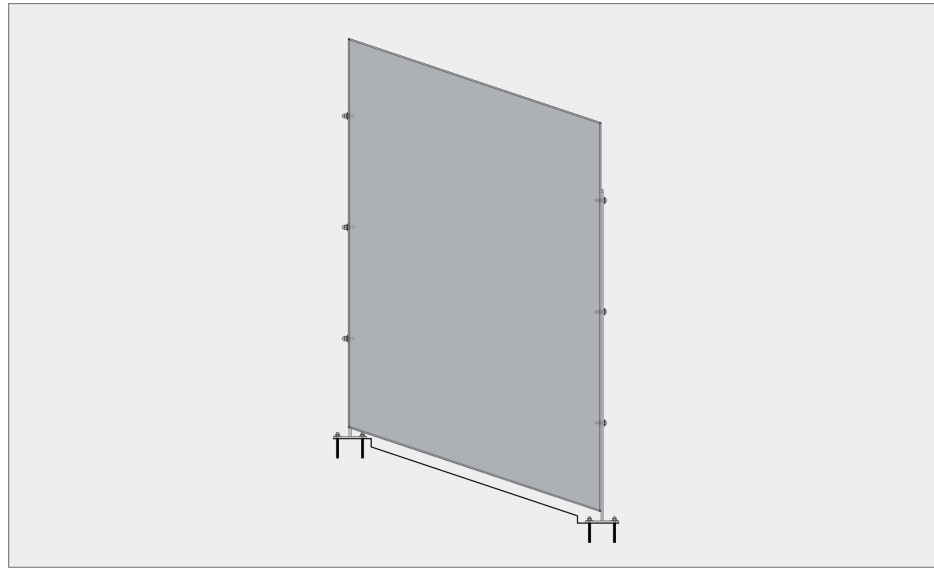
C END CONNECTION

Fence panel by
BÖK Modern

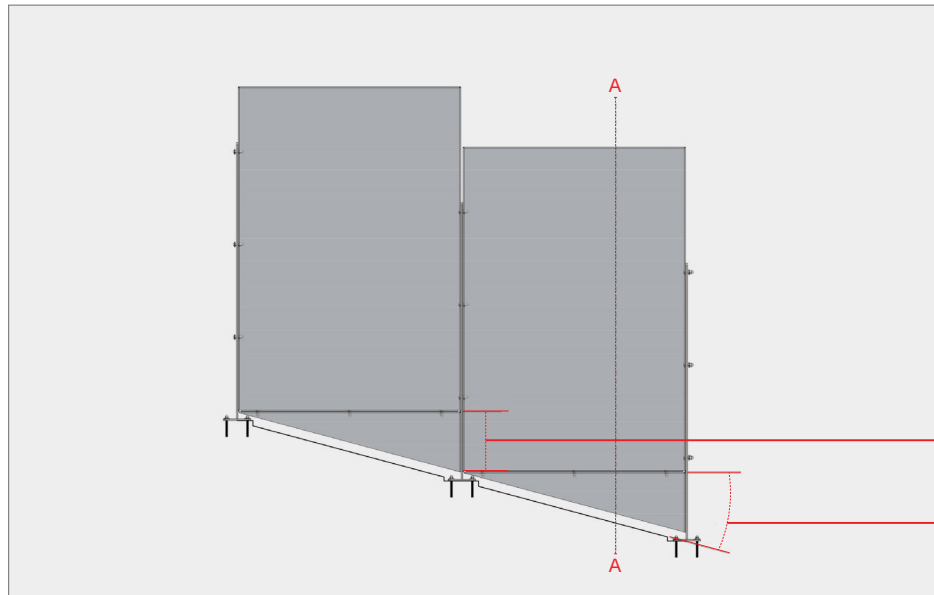
Blade bracket by
BÖK Modern

1/2"-13 Socket-head
Button cap hardware
Assembly by BÖK Modern

**BLADE POST
FENCE**



Custom Sloped Panels



**Standard Panels with
Slope Infill Pieces**

Optimized panel sizing (slope):
To even further optimize the system,
typical panels can be used even on
slopes. Ask about our slope filler panels
and how they can be field modified to
accommodate any slope.

→ 1'-1" B.O. Panel to B.O. Panel

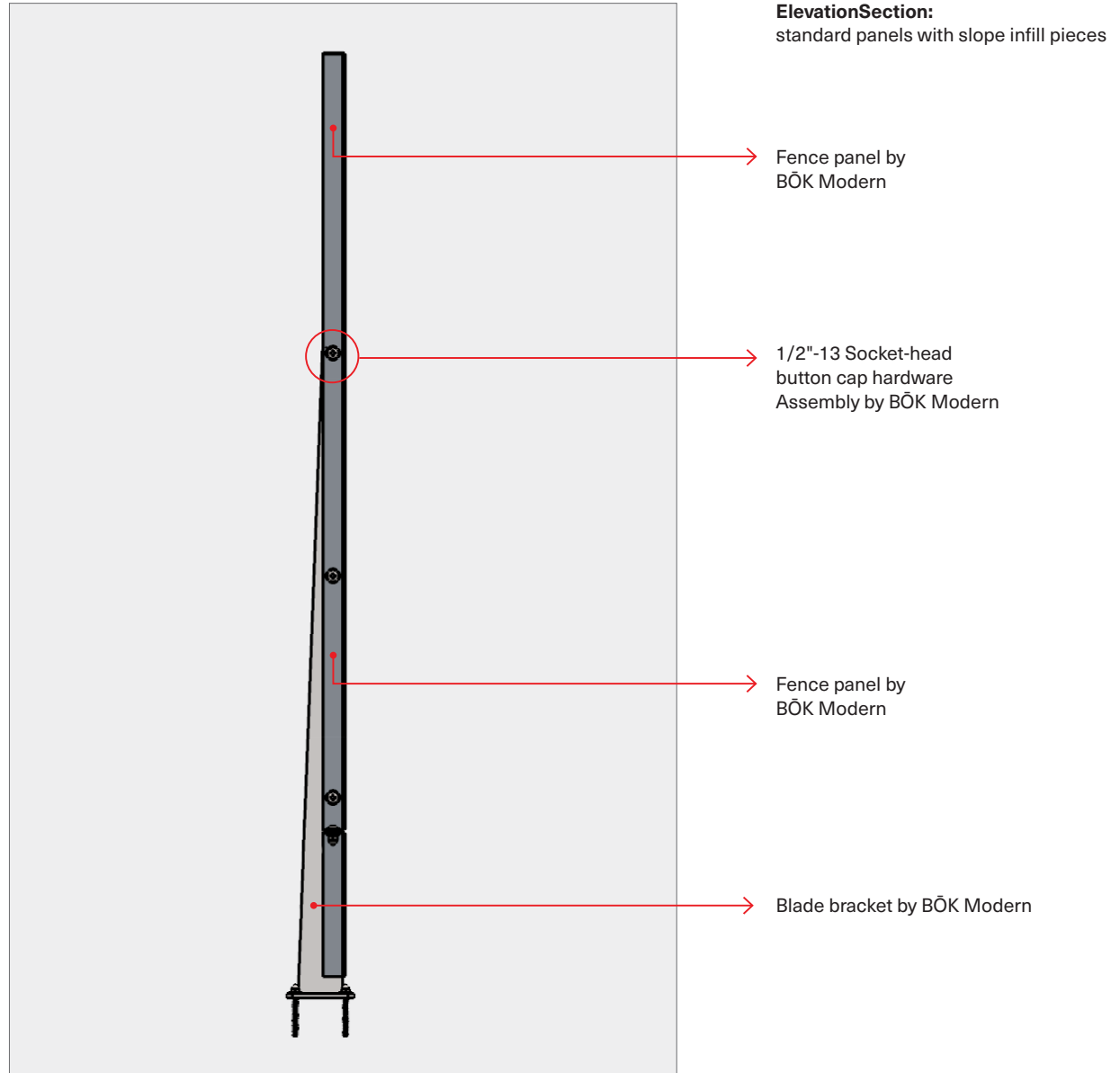
→ 15.00° Slope angle

BOKMODERN.COM

For any questions please call
415.749.6500 X 295

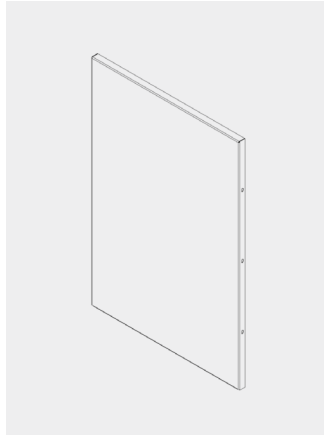
TYPICAL DETAILS: SLOPED FENCE

**BLADE POST
FENCE**

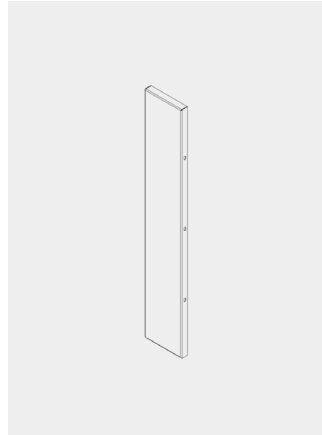


**BLADE POST
FENCE**

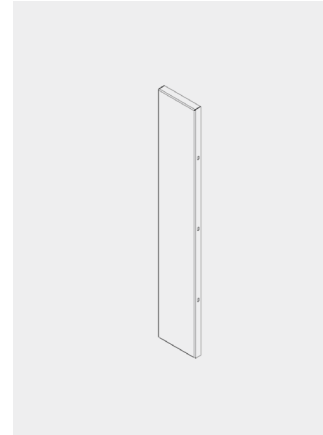
TYPICAL PANEL SIZES



Width : 45"
Fence Height : 4', 6' and 8'



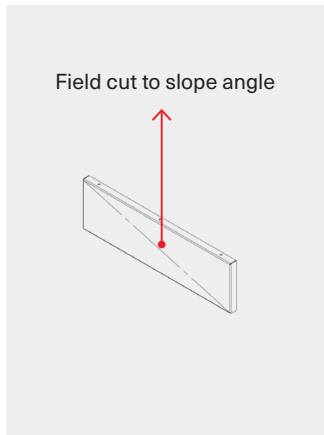
Width : 24"
Fence Height : 4', 6' and 8'



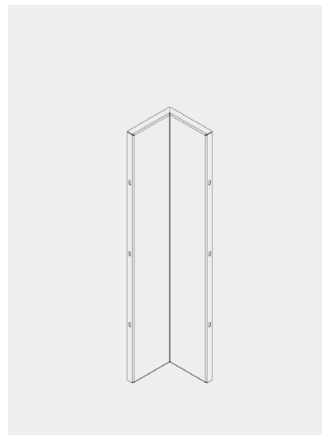
Width : 12"
Fence Height : 4', 6' and 8'



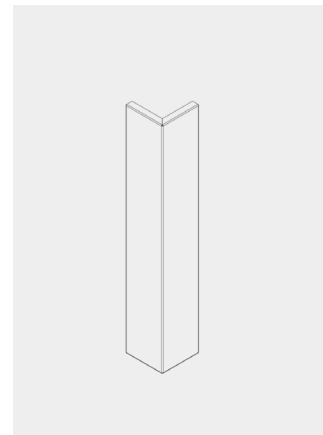
Blade



Sloped Skirt - Precut



Inside Corner ASM



Outside Corner

NOTE:
Optimized panel sizing: In order to optimize the bok system in the most financially efficient way, utilize these panel sizes.