



## FULL HEIGHT BRACKETED SUNSHADE

Full-Height Sunshades are utilized when you want a continuous vertical 'blade' projecting from the building façade.

These drawings can not be used for the purposes of soliciting, negotiating, procuring, fabricating or otherwise obtaining quotes from other vendors. They are the sole and absolute property of BOK Modern and may only be used by or under license from BOK Modern.

Any reproduction, distribution, modification, public display or representation of the content in these drawings, in part or as a whole, in any medium, without the prior express written consent of BOK Modern LLC. is strictly prohibited and may result in legal action.





**FULL HEIGHT  
BRACKETED  
SUNSHADE**

**BOKMODERN.COM**

For any questions please call  
415.749.6500 X 295

**TYPICAL DETAILS**

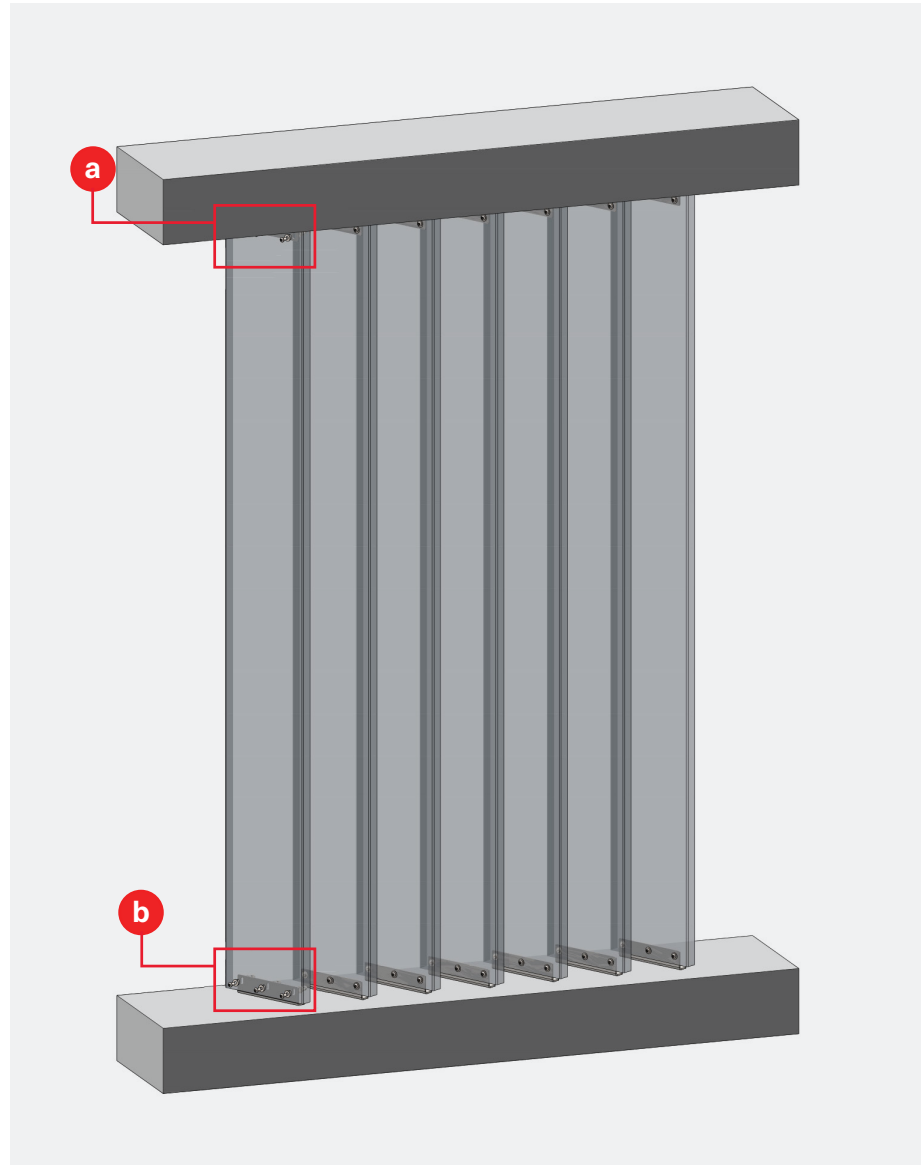


**DETAIL KEY**

- Ⓐ Top bracket connection
- Ⓑ Bottom bracket connection

**FULL HEIGHT  
BRACKETED  
SUNSHADE**

**3D-VIEW**



**DETAIL KEY**

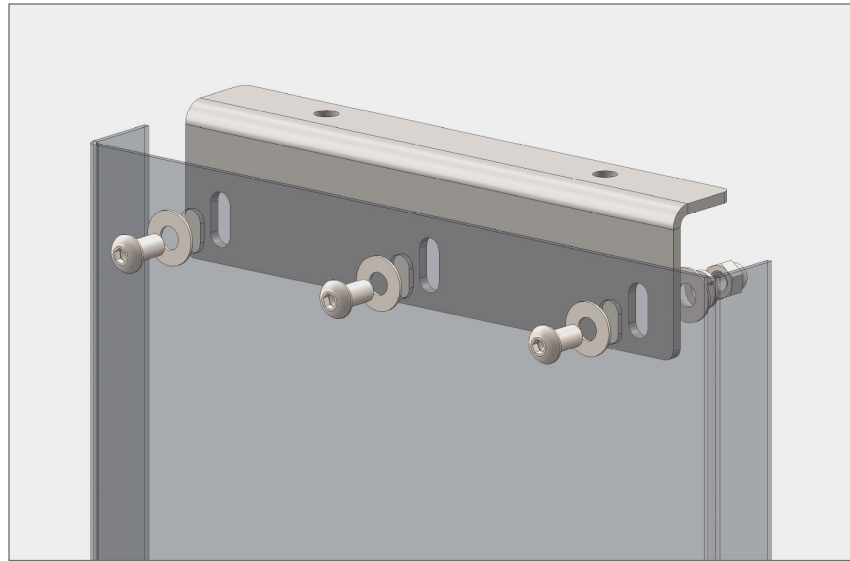
- Ⓐ Top bracket connection
- Ⓑ Bottom bracket connection

**BOKMODERN.COM**

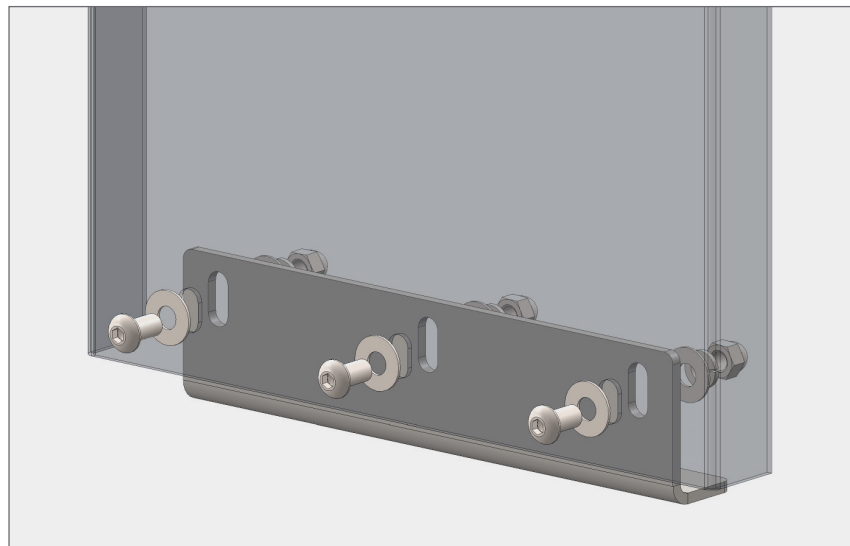
For any questions please call  
415.749.6500 X 295

**FULL HEIGHT  
BRACKETED  
SUNSHADE**

TYPICAL DETAILS



**a** Top bracket connection



**b** Bottom bracket connection

**BOKMODERN.COM**

For any questions please call  
415.749.6500 X 295