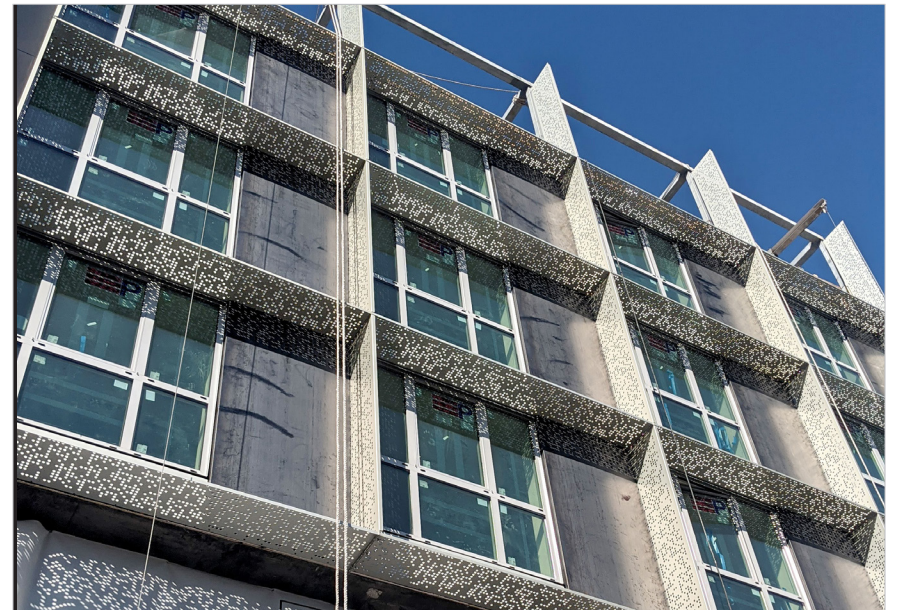
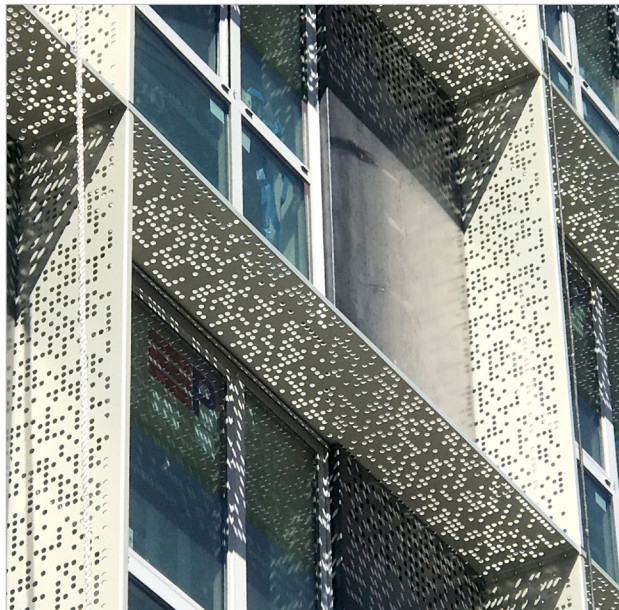




"NAIL-ON" SUNSHADE

Our latest innovation, the "Nail-On" Sunshade, simplifies sunshade installations by eliminating the need for protruding brackets. This streamlined system is easy to install, offers straightforward waterproofing, and has a bracketless design that won't obstruct scaffolding placement. Installers appreciate its efficiency, making it a top choice for sunshade applications.

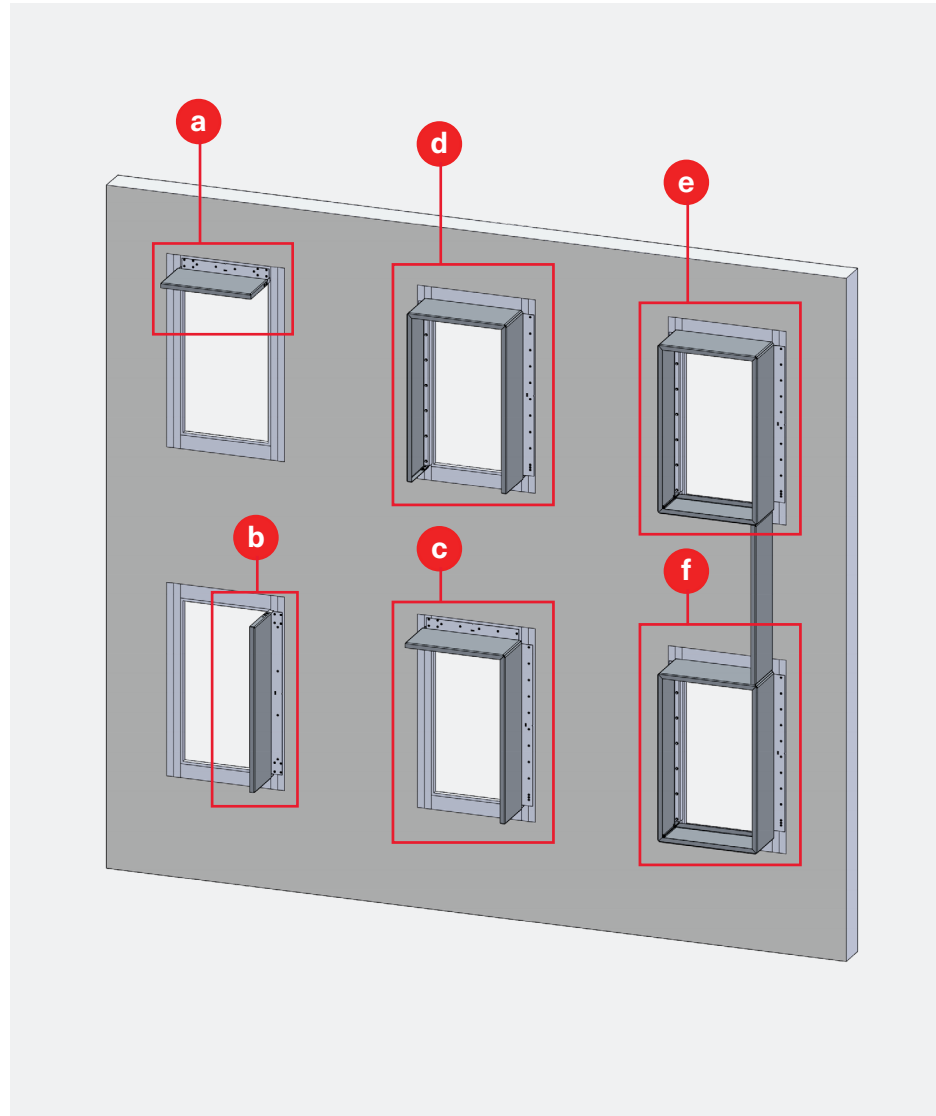


These drawings can not be used for the purposes of soliciting, negotiating, procuring, fabricating or otherwise obtaining quotes from other vendors. They are the sole and absolute property of BOK Modern and may only be used by or under license from BOK Modern.

Any reproduction, distribution, modification, public display or representation of the content in these drawings, in part or as a whole, in any medium, without the prior express written consent of BOK Modern LLC, is strictly prohibited and may result in legal action.

**"NAIL-ON"
SUNSHADE**

ISOMETRIC VIEW

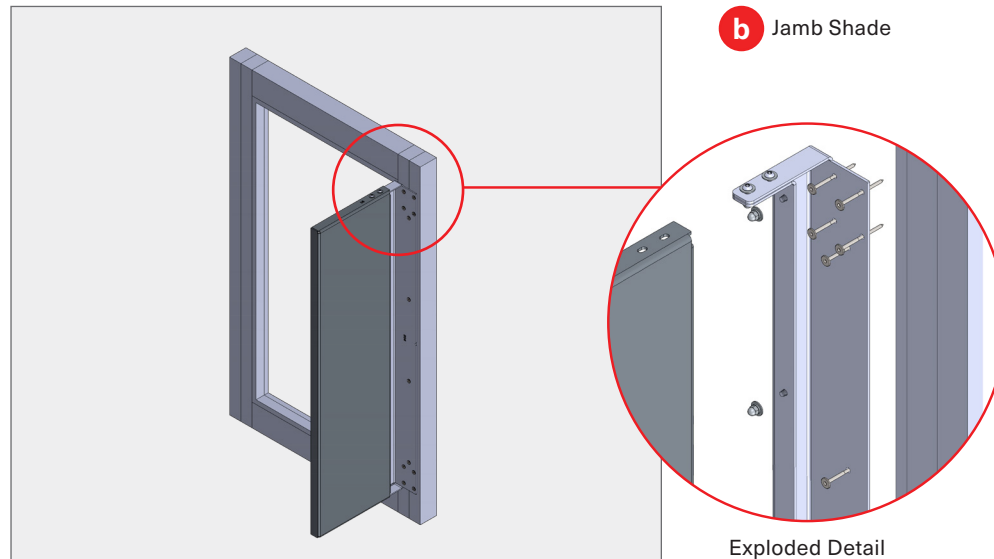
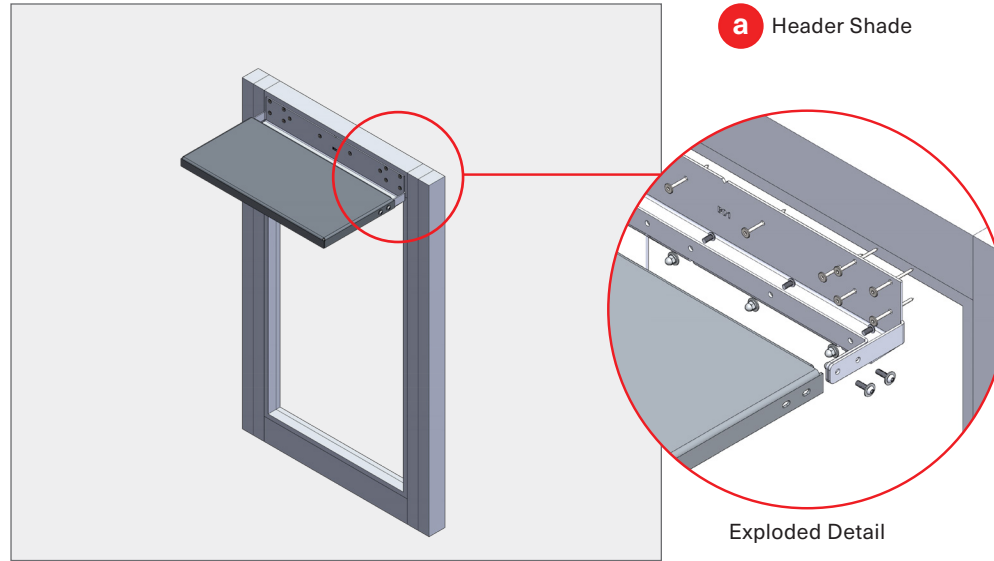


DETAIL KEY

- Ⓐ Header Shade
- Ⓑ Jamb Shade
- Ⓒ "L" Shade
- Ⓓ "U" Shade
- Ⓔ Box Shade 1
- Ⓕ Box Shade 2

**"NAIL-ON"
SUNSHADE**

TYPICAL DETAILS

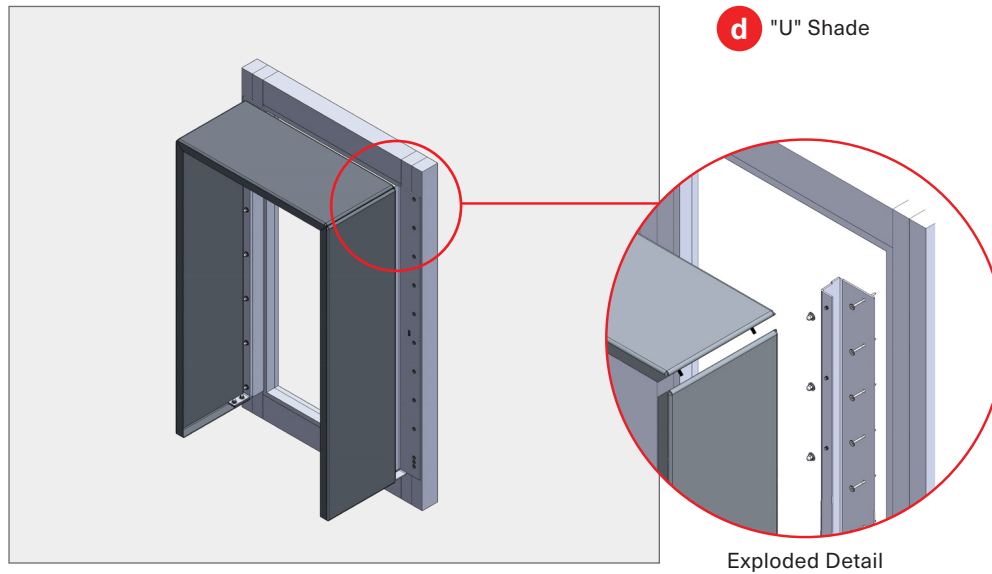
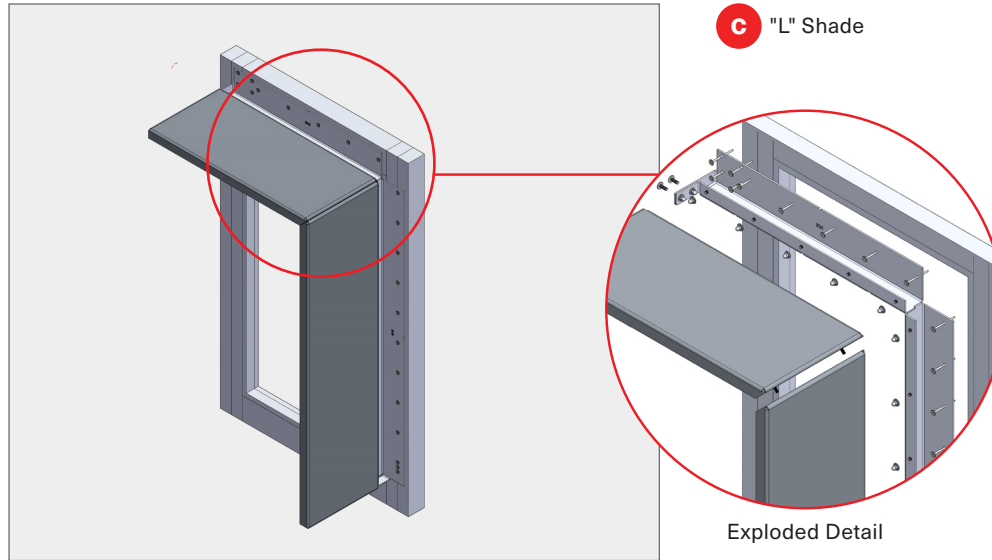


BOKMODERN.COM

For any questions please call
415.749.6500 X 295

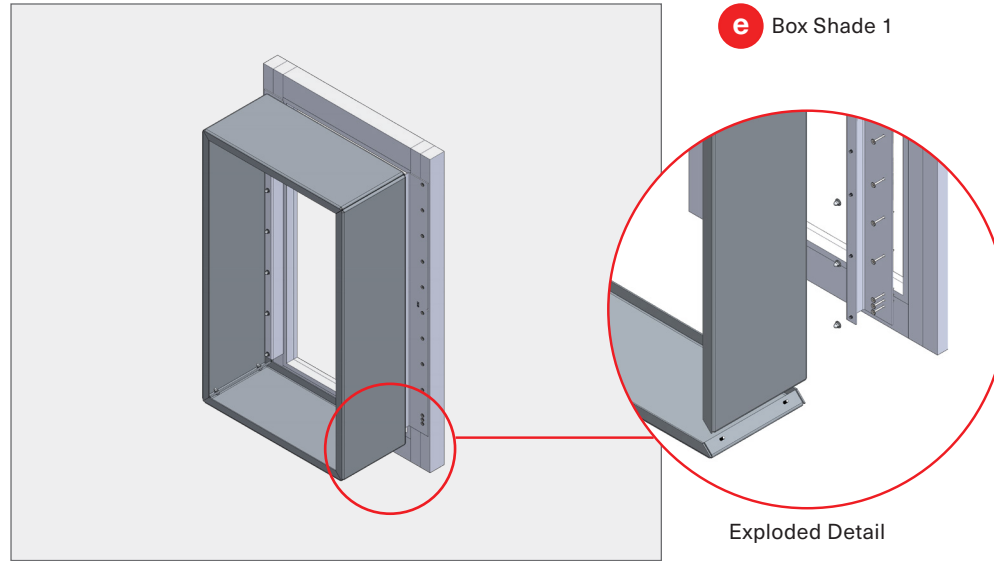
**"NAIL-ON"
SUNSHADE**

TYPICAL DETAILS



**"NAIL-ON"
SUNSHADE**

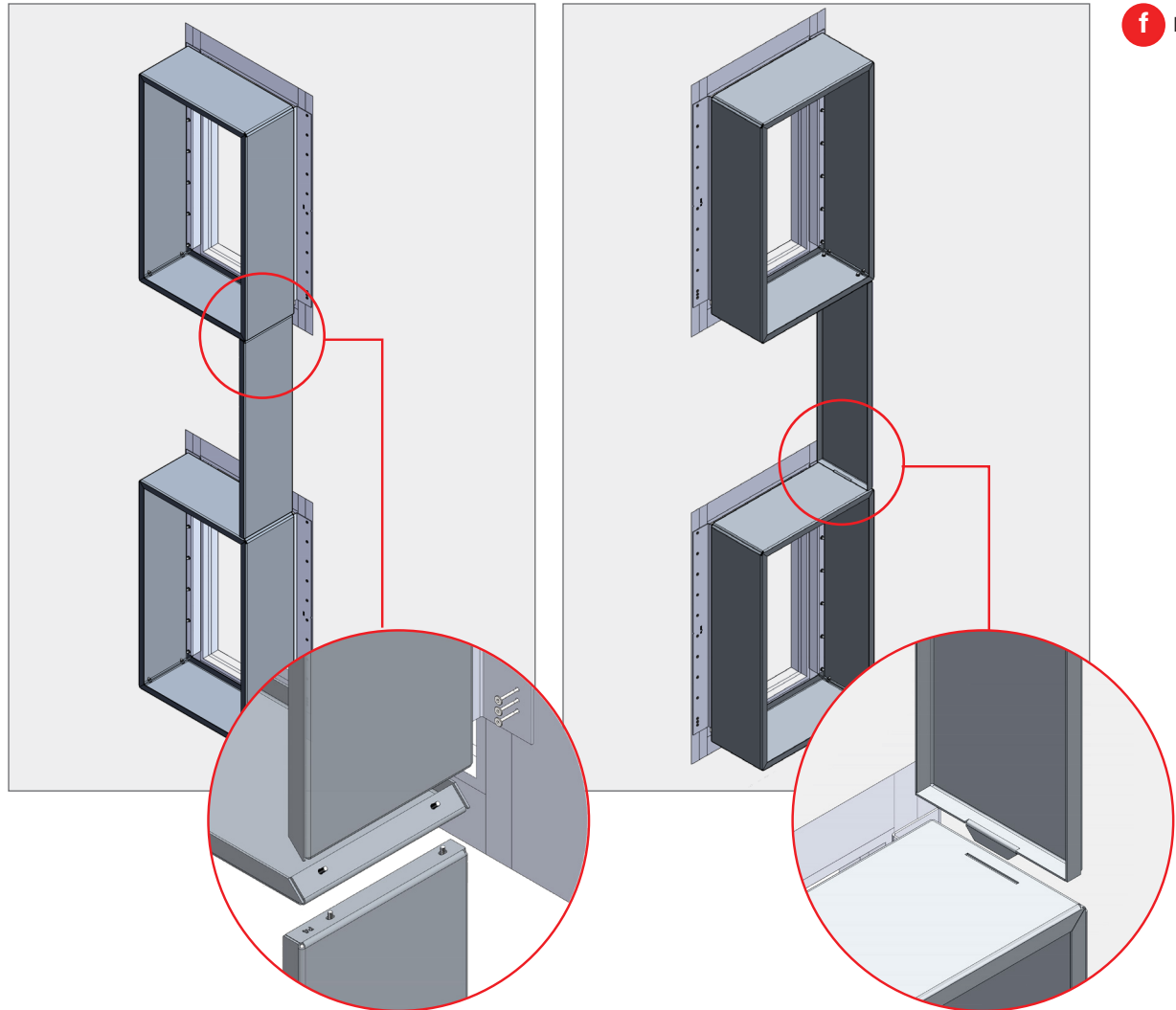
TYPICAL DETAILS



**"NAIL-ON"
SUNSHADE**

TYPICAL DETAILS

f Box Shade 1



Exploded Detail

Exploded Detail

BOKMODERN.COM

For any questions please call
415.749.6500 X 295