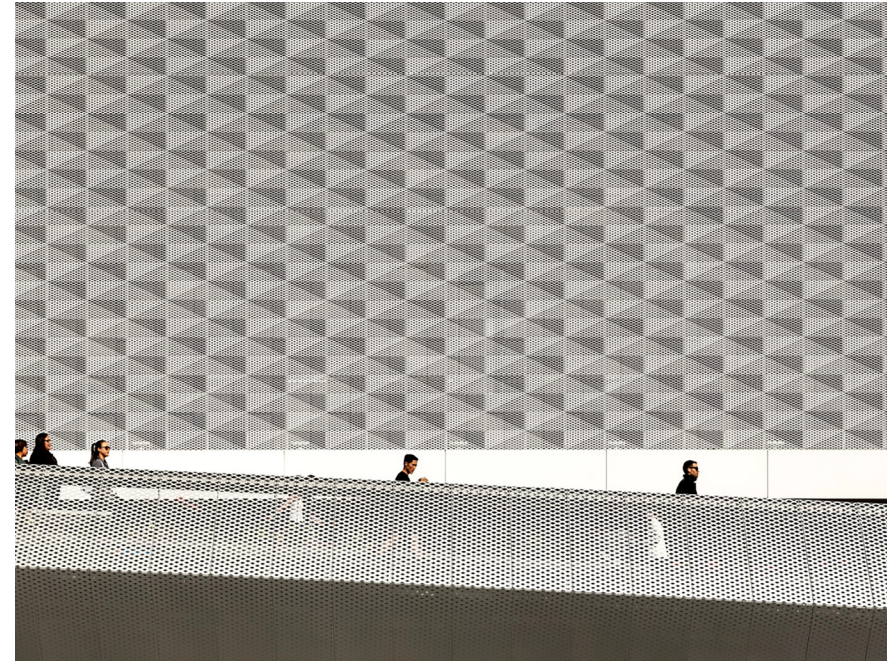
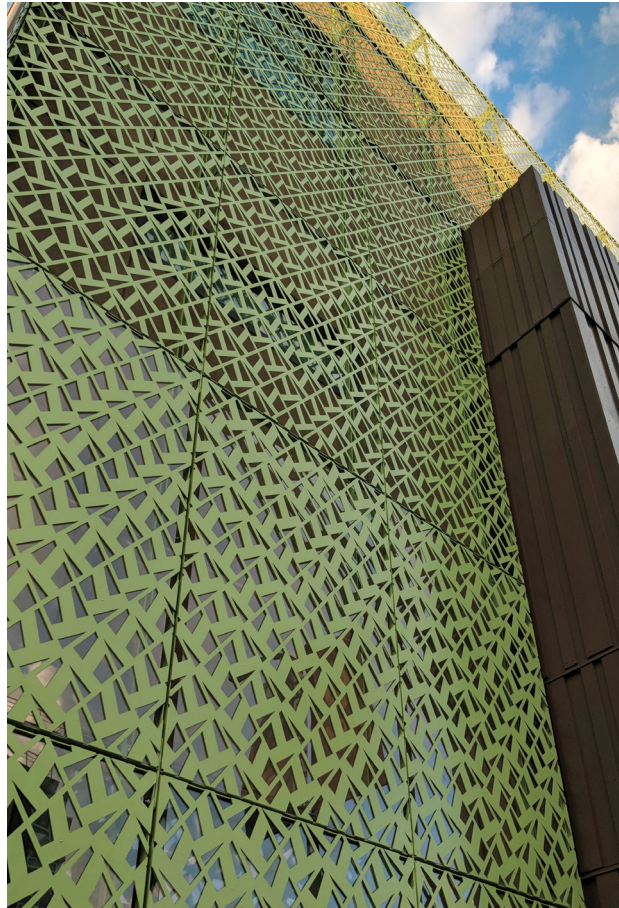




## WALLSCREEN

BOK Modern's Wallscreen systems are applicable to building exteriors, parking garage screens and green screens. These panels can be directly mounted to edge of slab or other structure without the need for secondary supporting members. Panel systems are delivered to site fully fabricated and finished, ready for immediate installation. Designed with the same precision laser cutting typical throughout the entire BOK Modern line of products, our Wallscreens can be constructed in a wide array of patterns and shapes.

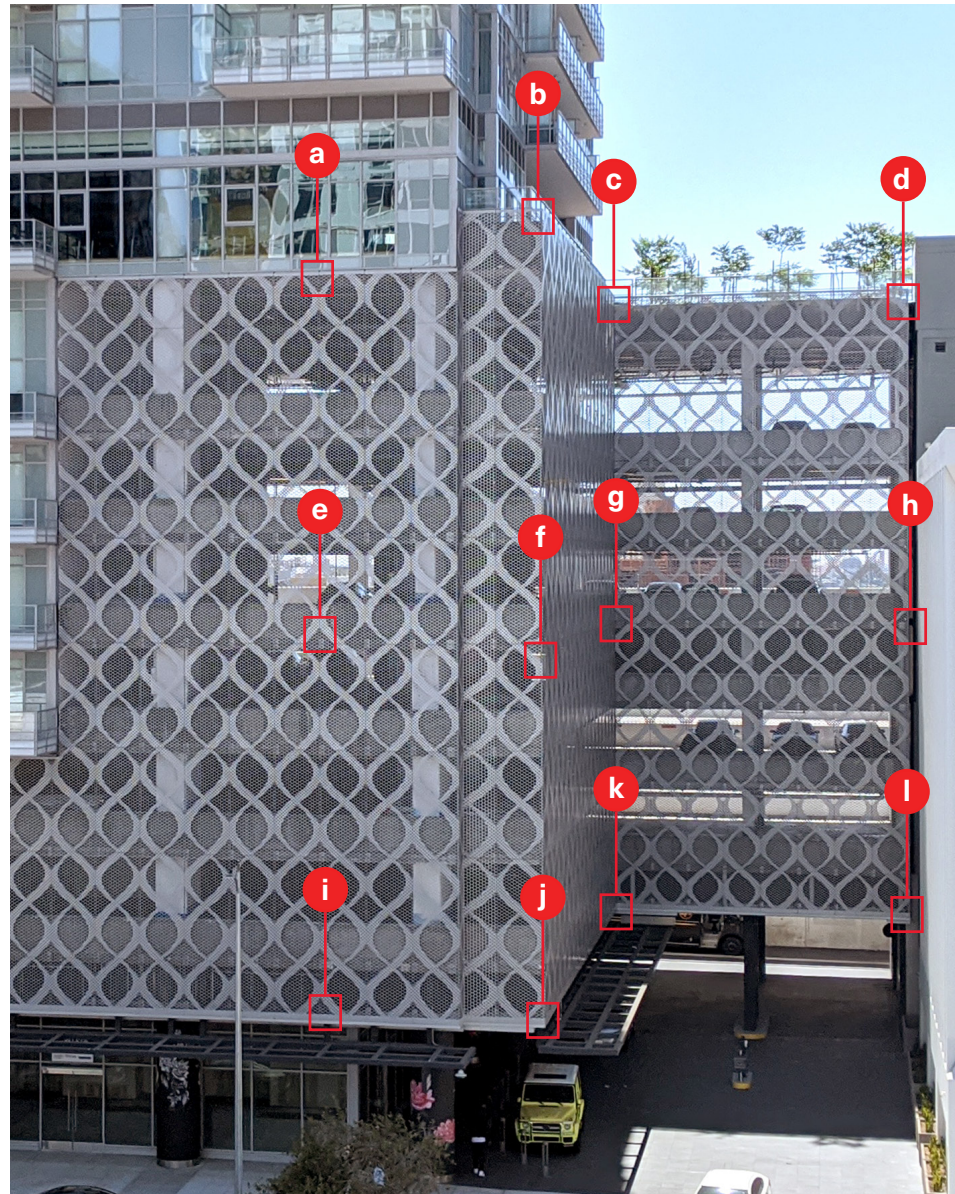


These drawings can not be used for the purposes of soliciting, negotiating, procuring, fabricating or otherwise obtaining quotes from other vendors. They are the sole and absolute property of BOK Modern and may only be used by or under license from BOK Modern.

Any reproduction, distribution, modification, public display or representation of the content in these drawings, in part or as a whole, in any medium, without the prior express written consent of BOK Modern LLC is strictly prohibited and may result in legal action.

**WALLSCREEN**

**TYPICAL DETAILS**



**DETAIL KEY**

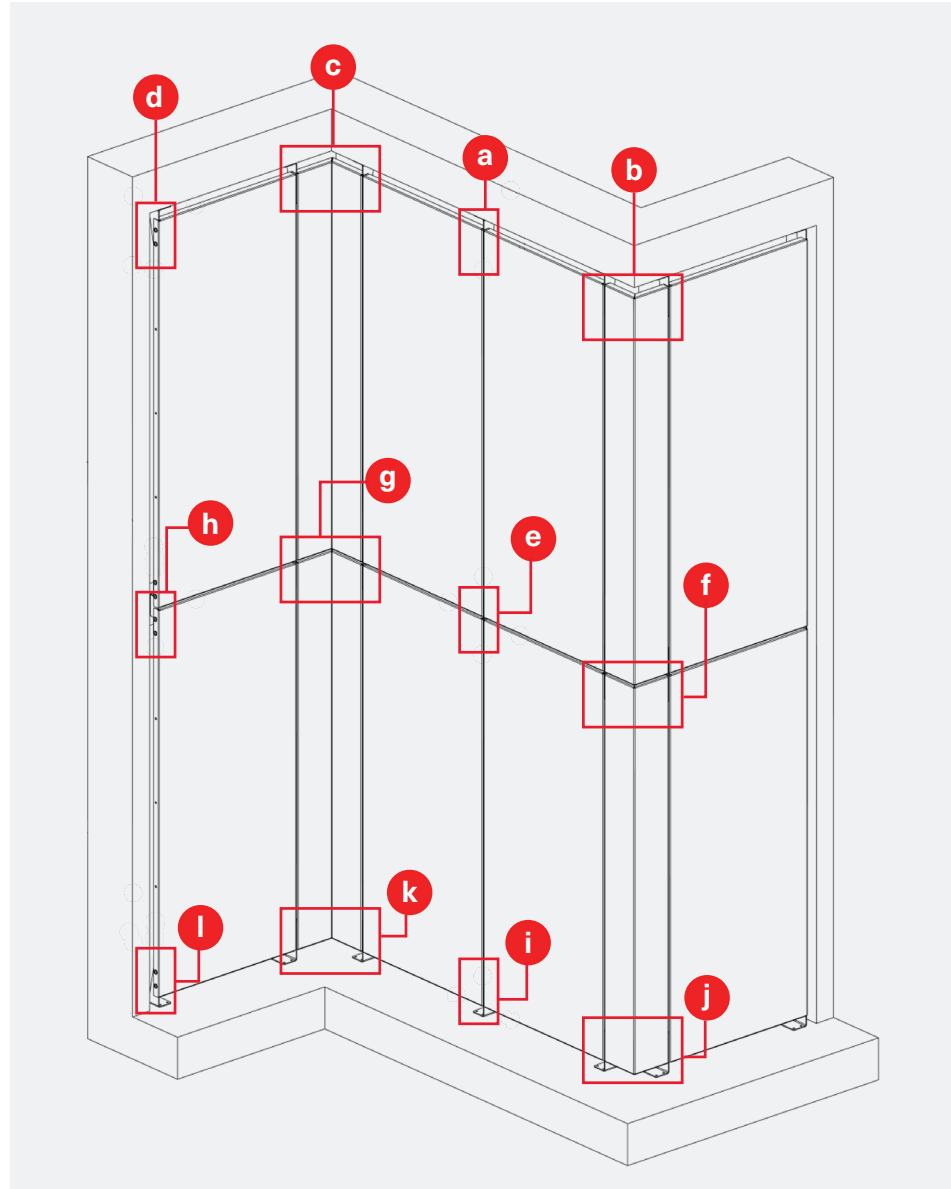
- Ⓐ Overhang brackets typ.
- Ⓑ Outside corner panel overhang brackets
- Ⓒ Inside corner panel overhang brackets
- Ⓓ Overhang brackets end
- Ⓔ Mid-span brackets typ.
- Ⓕ Outside corner panel mid-span brackets
- Ⓖ Inside corner panel mid-span brackets
- Ⓗ Mid-span brackets end
- Ⓘ Bottom bracket typ.
- ⓰ Outside corner panel floor brackets
- ⓲ Inside corner panel floor brackets
- ⓴ Bottom bracket end

**BOKMODERN.COM**

For any questions please call  
415.749.6500 X 295

**WALLSCREEN**

**TYPICAL DETAILS**



**DETAIL KEY**

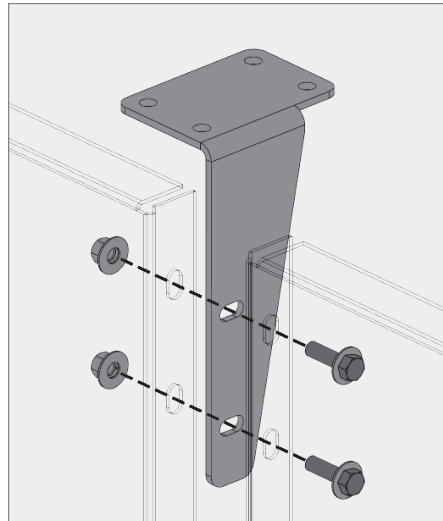
- Ⓐ Overhang brackets typ.
- Ⓑ Outside corner panel overhang brackets
- Ⓒ Inside corner panel overhang brackets
- Ⓓ Overhang brackets end
- Ⓔ Mid-span brackets typ.
- Ⓕ Outside corner panel mid-span brackets
- Ⓖ Inside corner panel mid-span brackets
- Ⓗ Mid-span brackets end
- Ⓘ Bottom bracket typ.
- ⓵ Outside corner panel floor brackets
- ⓸ Inside corner panel floor brackets
- ⓹ Bottom bracket end

**BOKMODERN.COM**

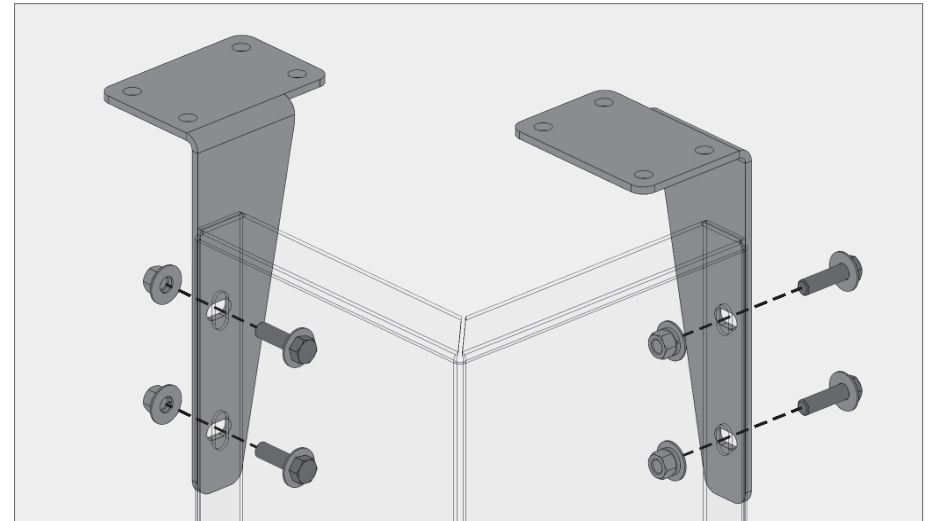
For any questions please call  
415.749.6500 X 295

**WALLSCREEN**

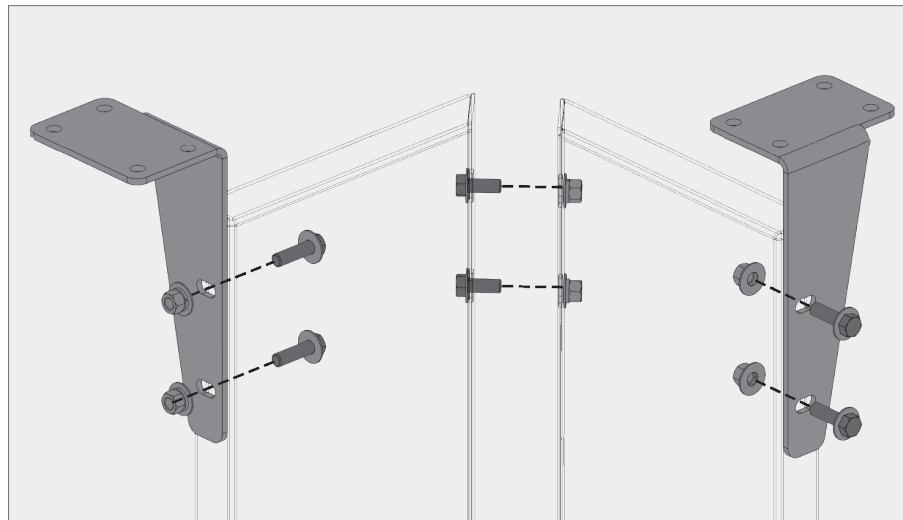
Bracketed wallscreens are perfect for garage applications where there is access to assemble the bolts from behind the panels.



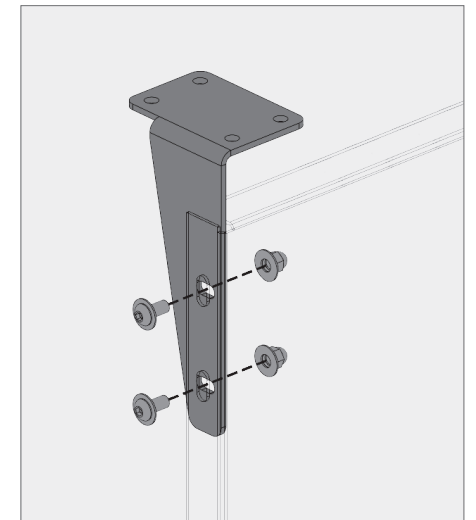
**a** Overhang brackets typ.



**b** Outside corner panel overhang brackets



**c** Inside corner panel overhang brackets



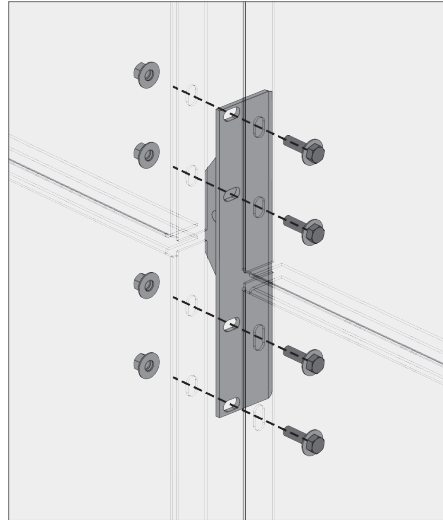
**d** Overhang brackets end

**BOKMODERN.COM**

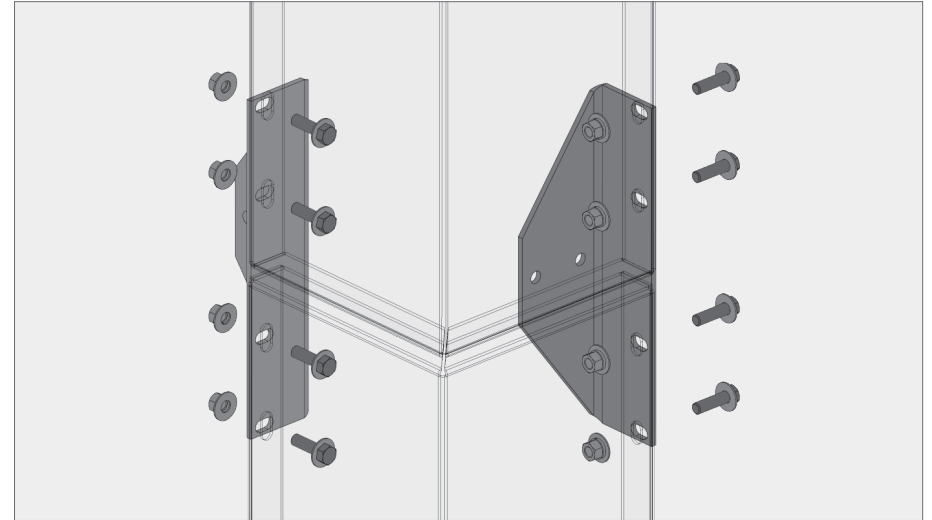
For any questions please call  
415.749.6500 X 295

**WALLSCREEN**

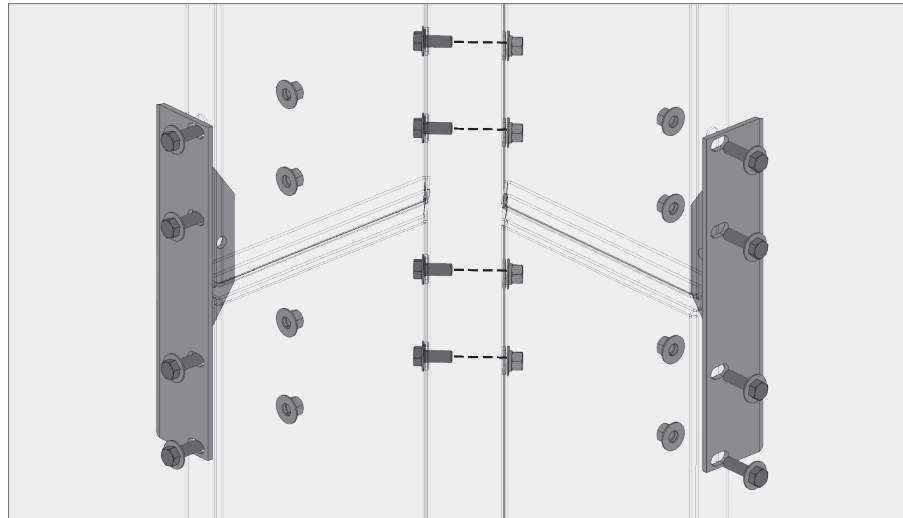
Bracketed wallscreens are perfect for garage applications where there is access to assemble the bolts from behind the panels.



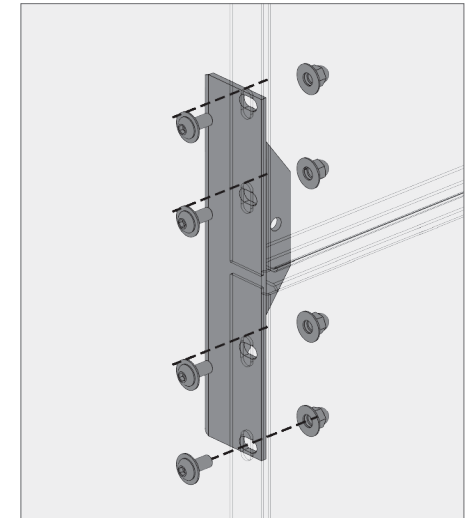
**e** Mid-span brackets typ.



**f** Outside corner panel mid-span brackets



**g** Inside corner panel mid-span brackets



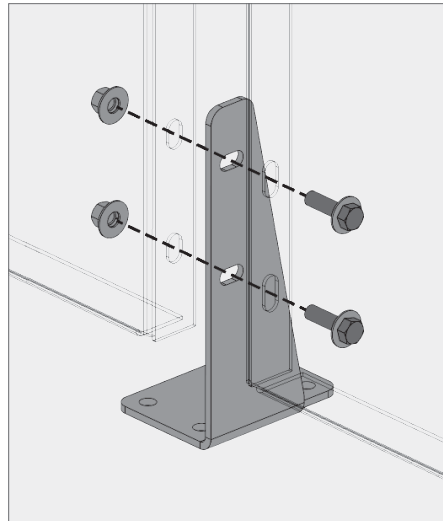
**h** Mid-span brackets end

[BOKMODERN.COM](http://BOKMODERN.COM)

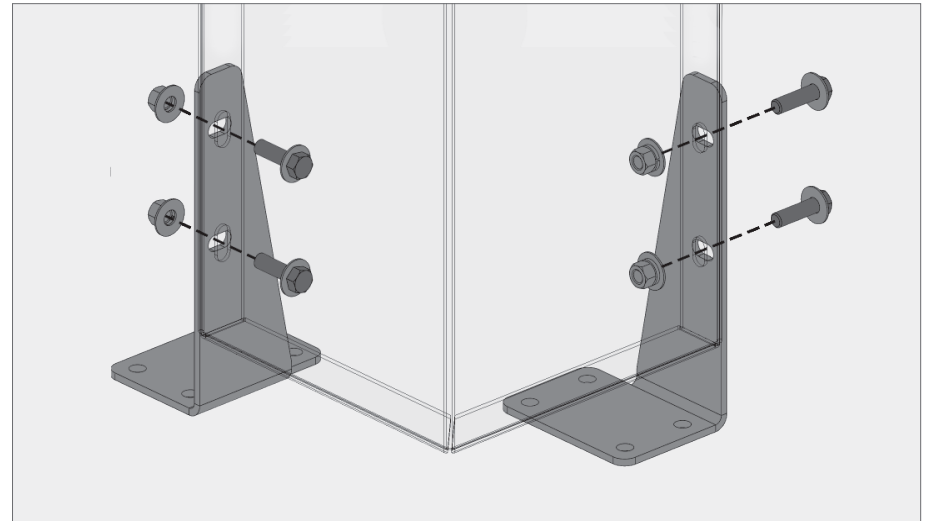
For any questions please call  
415.749.6500 X 295

**WALLSCREEN**

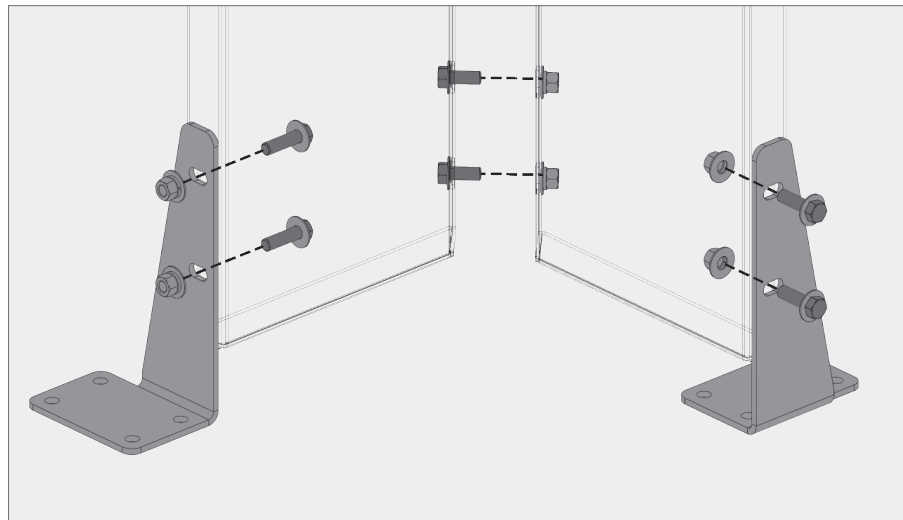
Bracketed wallscreens are perfect for garage applications where there is access to assemble the bolts from behind the panels.



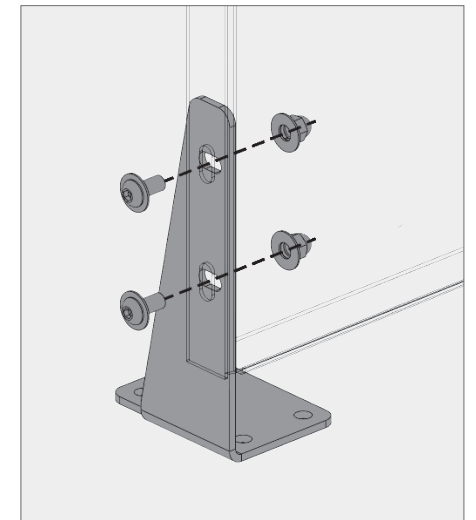
**i** Bottom bracket typ.



**j** Outside corner panel floor brackets



**k** Inside corner panel floor brackets



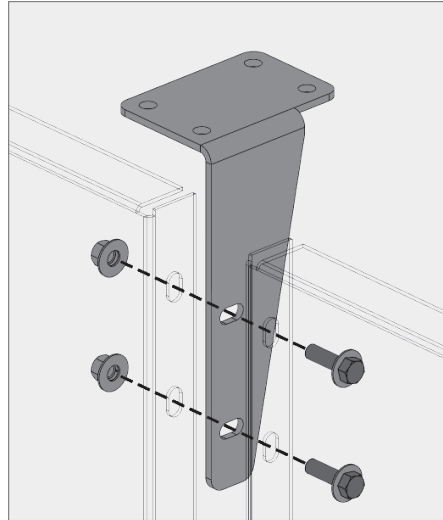
**l** Bottom bracket end

**BOKMODERN.COM**

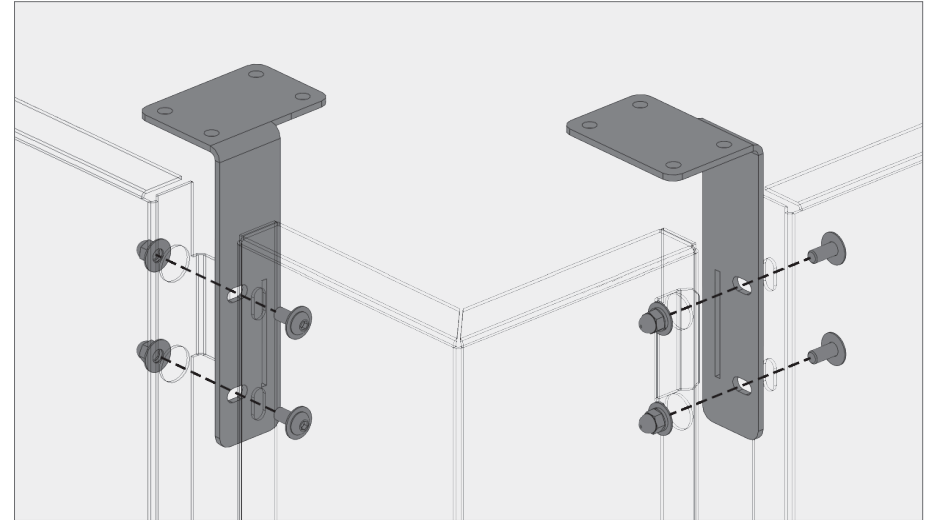
For any questions please call  
415.749.6500 X 295

**WALLSCREEN**

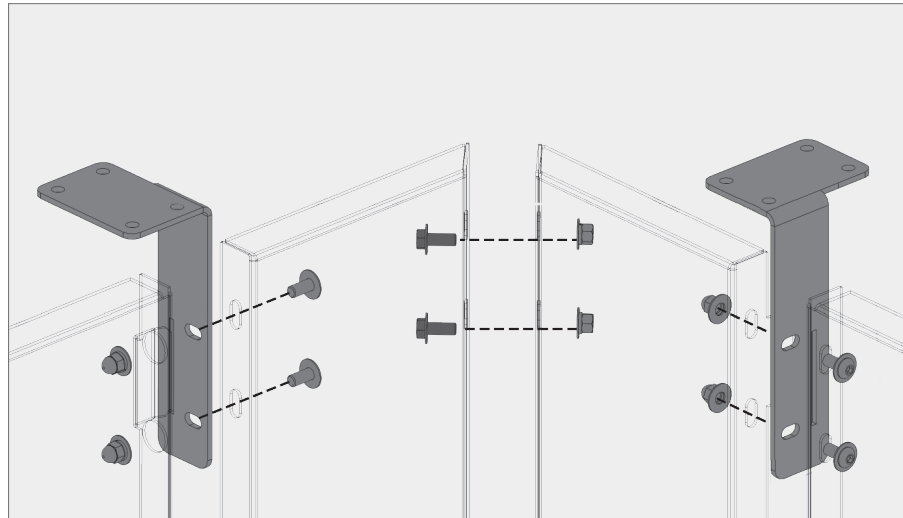
Tab and slot wallscreens are a hybrid product combining the best aspects of our rainscreen system with our wallscreen system. We can achieve larger panel sizes due to the additional bracket support while no longer needing access to behind the panels to assemble the bolts.



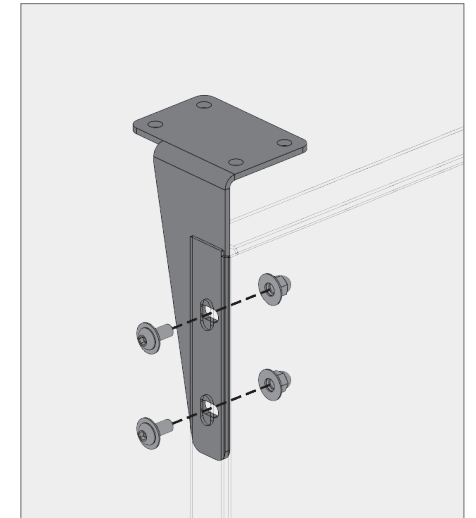
**a** Overhang brackets typ.



**b** Outside corner panel overhang brackets



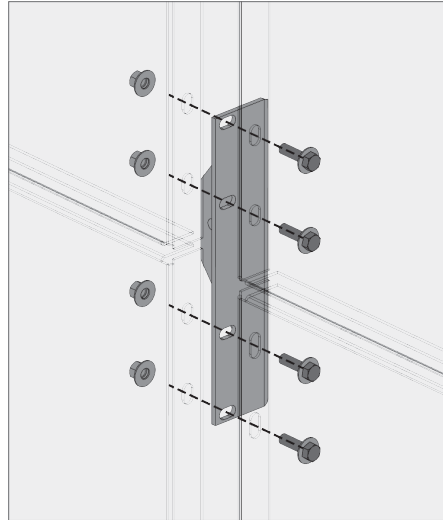
**c** Inside corner panel overhang brackets



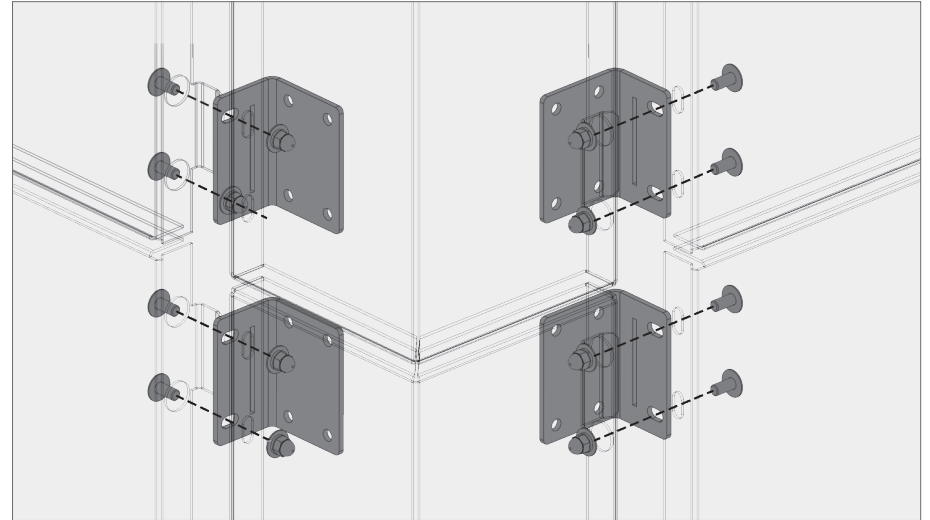
**d** Overhang brackets end

**WALLSCREEN**

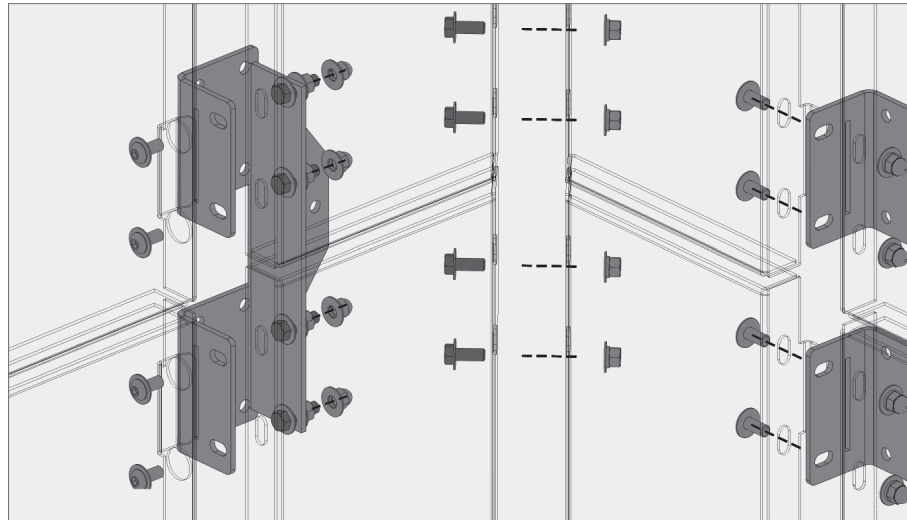
Tab and slot wallscreens are a hybrid product combining the best aspects of our rainscreen system with our wallscreen system. We can achieve larger panel sizes due to the additional bracket support while no longer needing access to behind the panels to assemble the bolts.



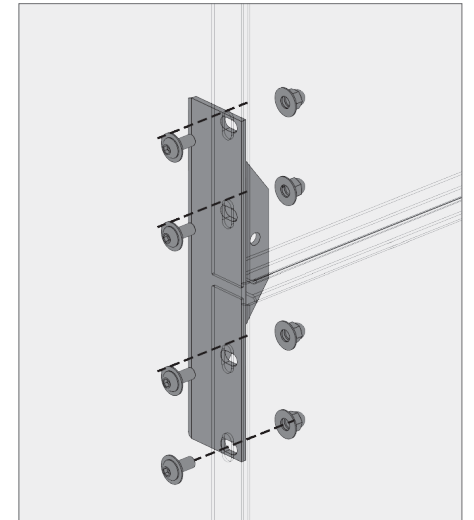
**e** Mid-span brackets typ.



**f** Outside corner panel mid-span brackets



**g** Inside corner panel mid-span brackets



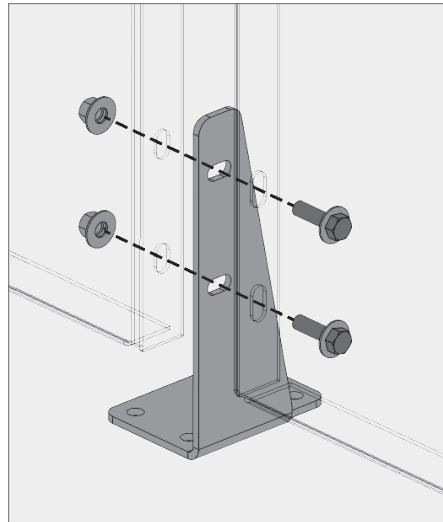
**h** Mid-span brackets end

[BOKMODERN.COM](http://BOKMODERN.COM)

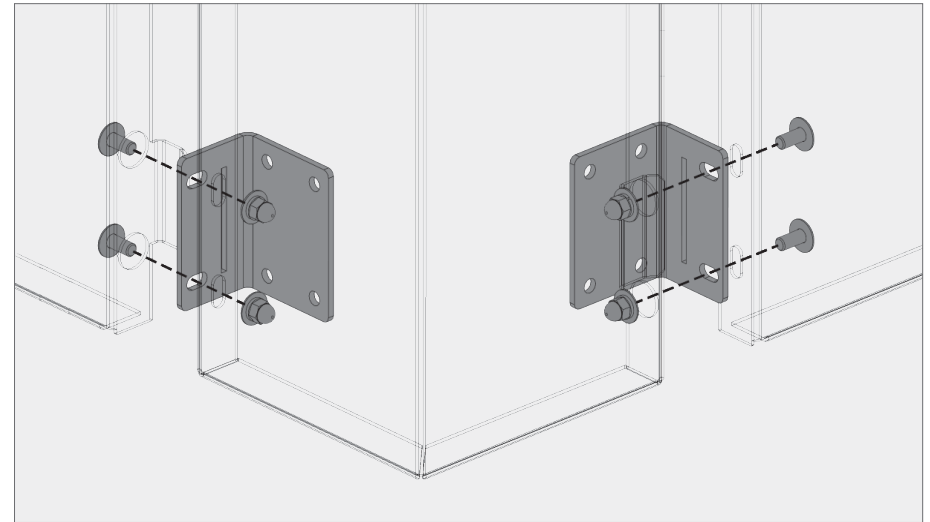
For any questions please call  
415.749.6500 X 295

**WALLSCREEN**

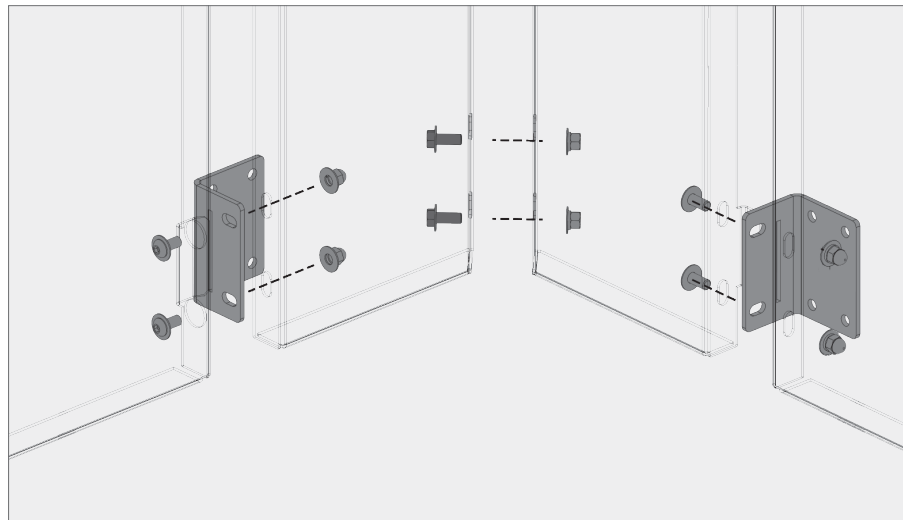
Tab and slot wallscreens are a hybrid product combining the best aspects of our rainscreen system with our wallscreen system. We can achieve larger panel sizes due to the additional bracket support while no longer needing access to behind the panels to assemble the bolts.



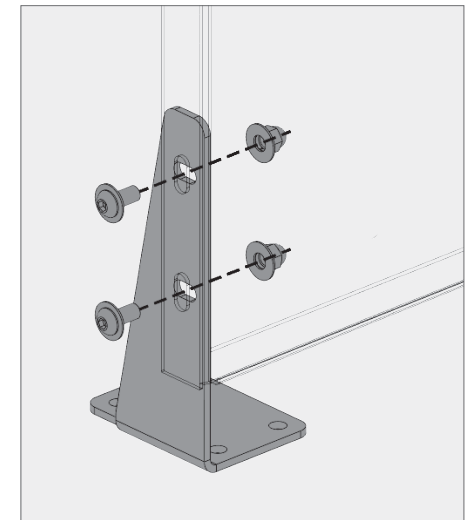
**i** Bottom bracket typ.



**j** Outside corner panel floor brackets



**k** Inside corner panel floor brackets



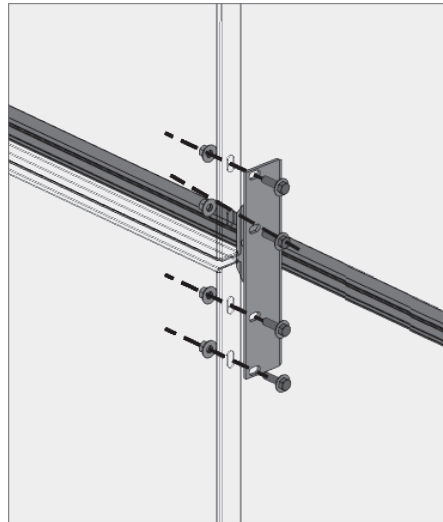
**l** Bottom bracket end

**BOKMODERN.COM**

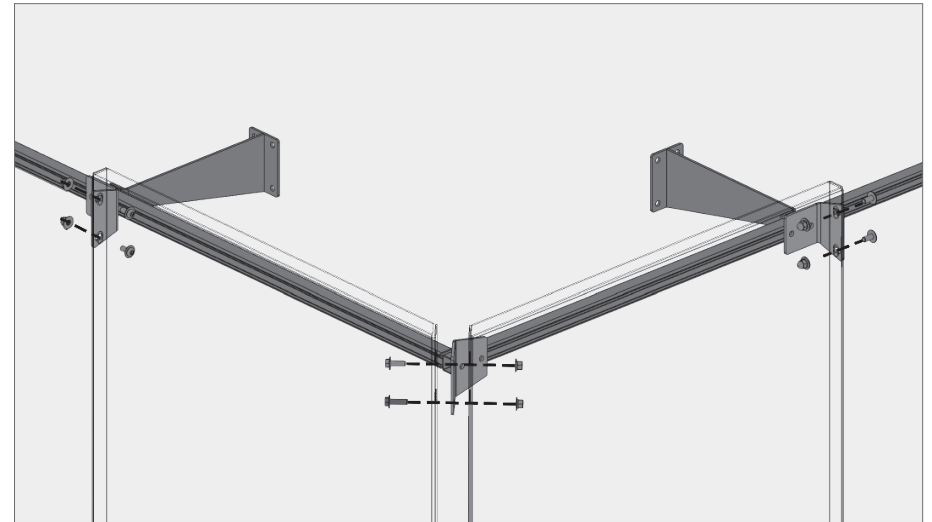
For any questions please call  
415.749.6500 X 295

**WALLSCREEN**

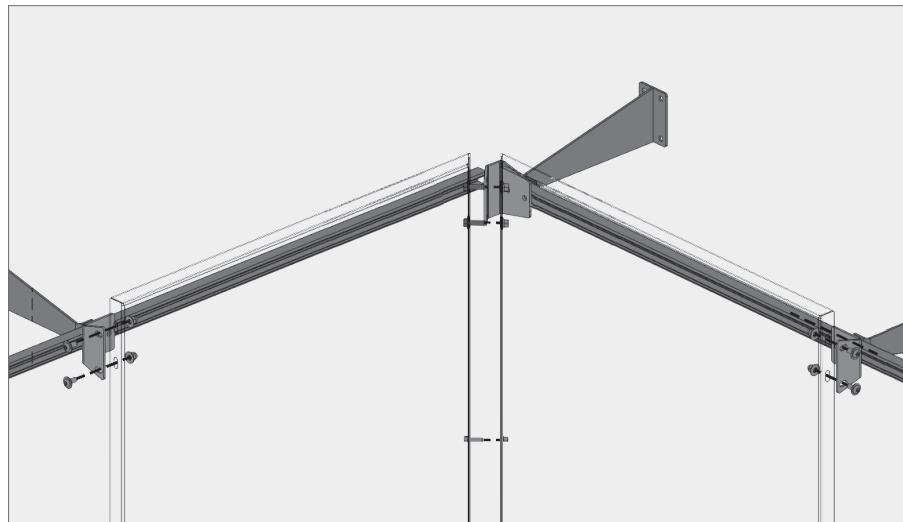
Suspended wallscreens reduce the number of waterproofing penetrations and create a completely new depth to a facade. Suspended wallscreens have dramatic shadow-lines and are easier to install from behind the system.



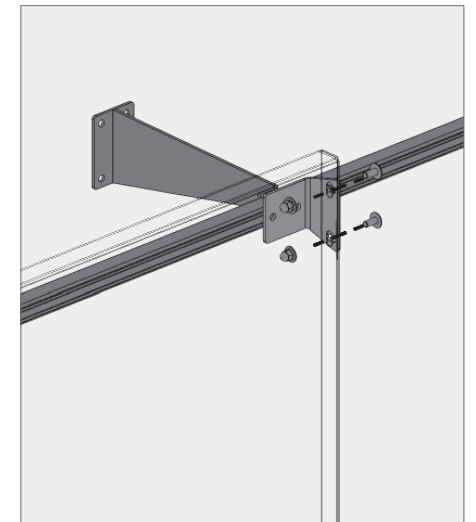
**a** Overhang brackets typ.



**b** Outside corner panel overhang brackets



**c** Inside corner panel overhang brackets



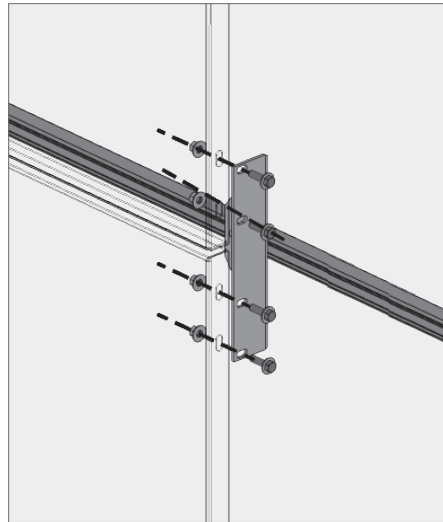
**d** Overhang brackets end

**BOKMODERN.COM**

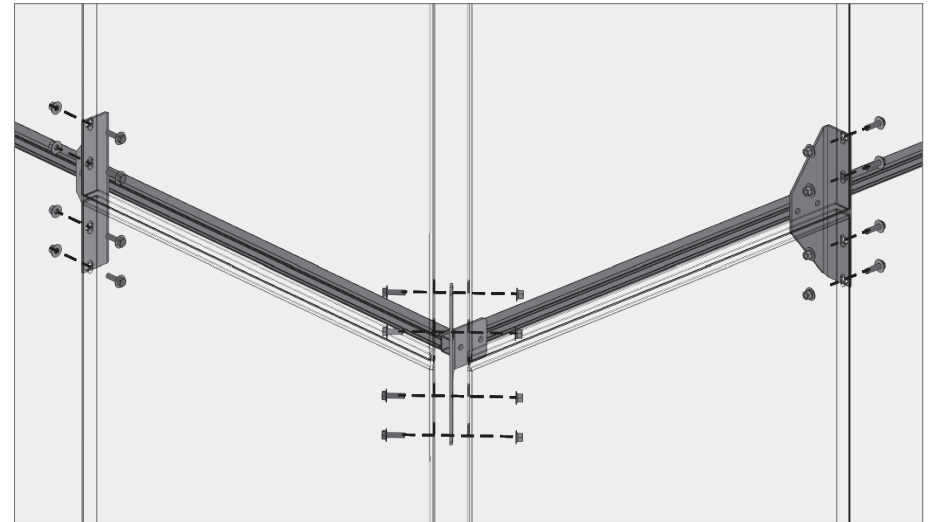
For any questions please call  
415.749.6500 X 295

**WALLSCREEN**

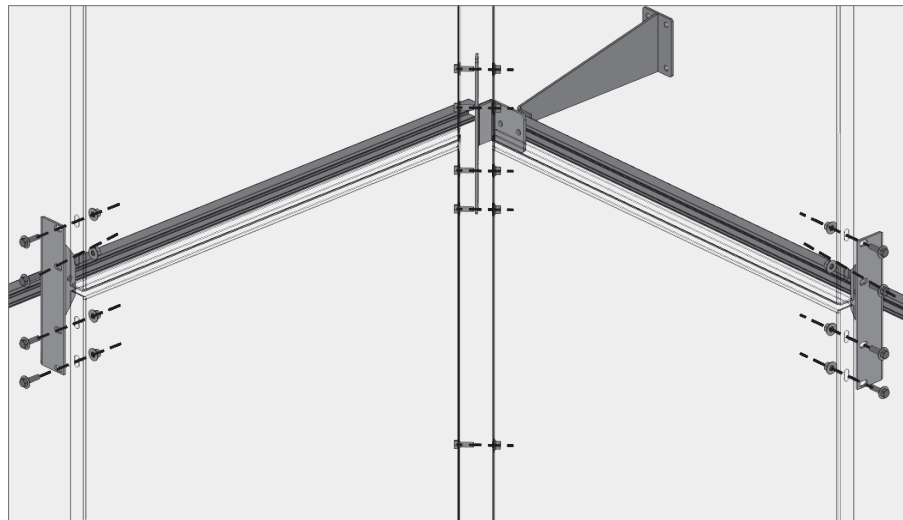
Suspended wallscreens reduce the number of waterproofing penetrations and create a completely new depth to a facade. Suspended wallscreens have dramatic shadow-lines and are easier to install from behind the system.



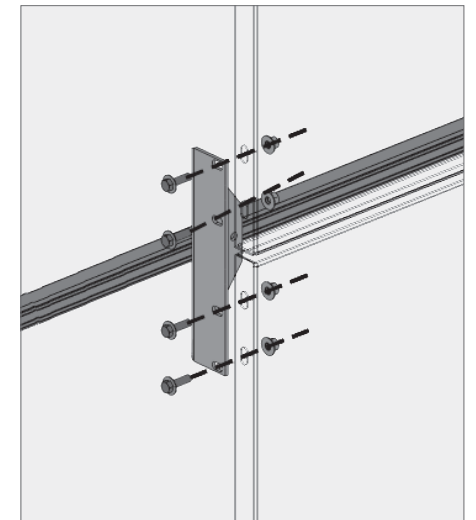
**e** Mid-span brackets typ.



**f** Outside corner panel mid-span brackets



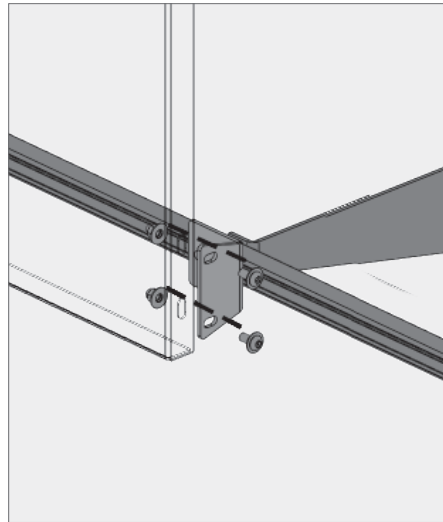
**g** Inside corner panel mid-span brackets



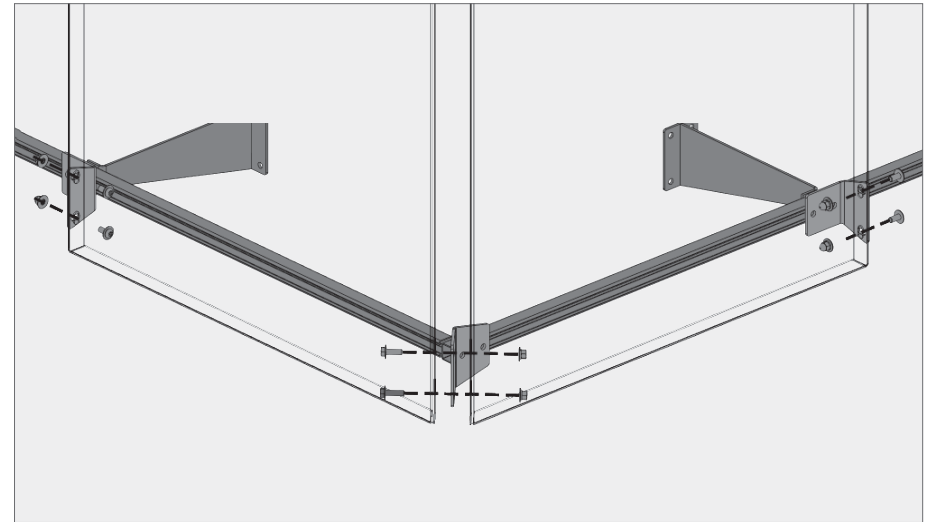
**h** Mid-span brackets end

**WALLSCREEN**

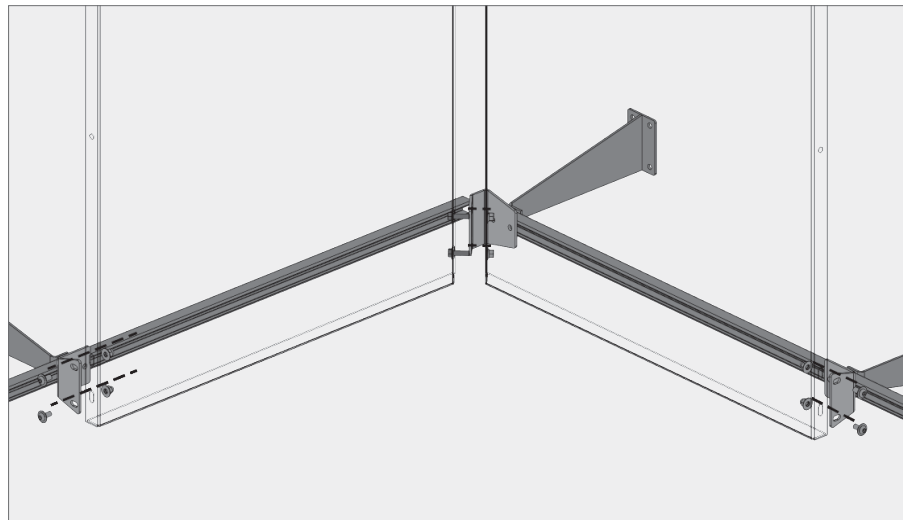
Suspended wallscreens reduce the number of waterproofing penetrations and create a completely new depth to a fascade. Suspended wallscreens have dramatic shadow-lines and are easier to install from behind the system.



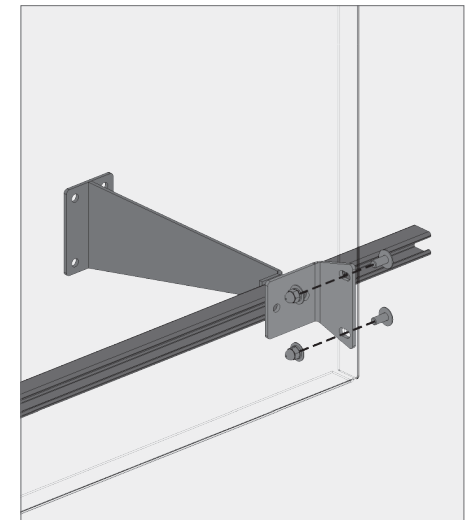
**i** Bottom bracket typ.



**j** Outside corner panel floor brackets



**k** Inside corner panel floor brackets



**l** Bottom bracket end

**BOKMODERN.COM**

For any questions please call  
415.749.6500 X 295